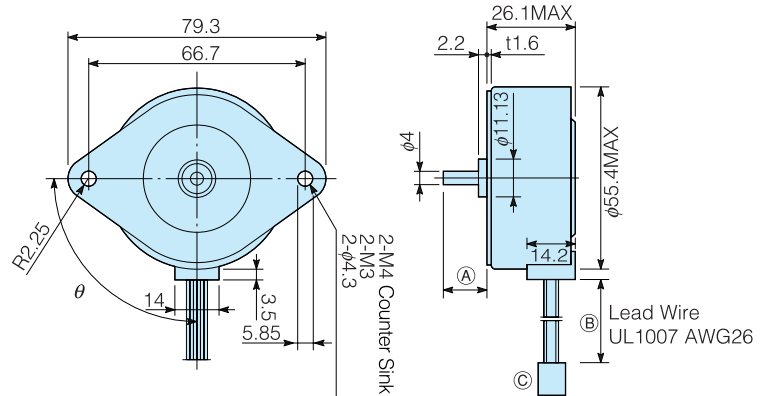


Standard Dimensions(mm)



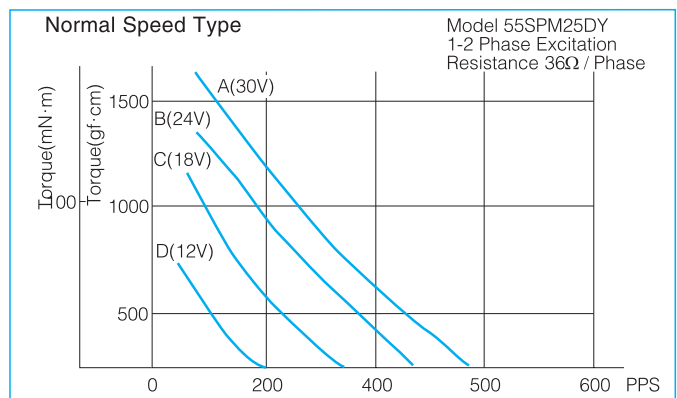
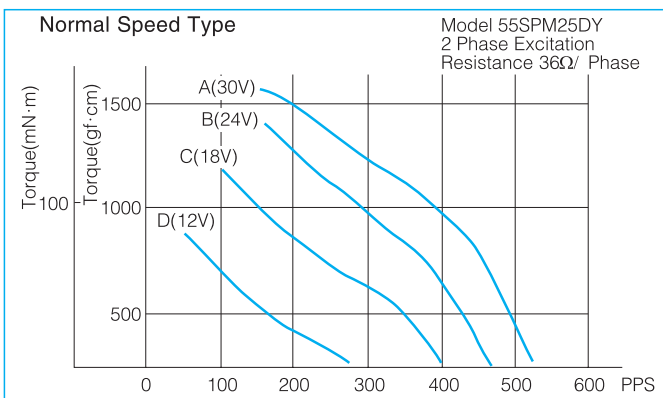
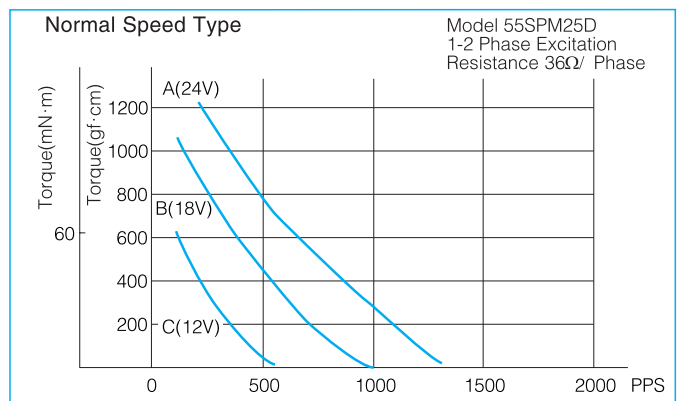
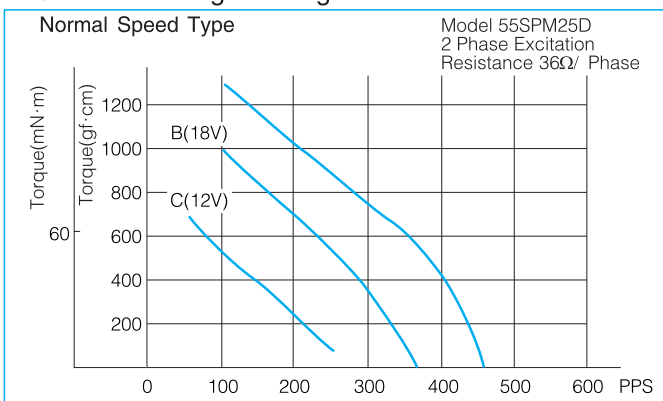
Shaft Length (mm)	Ⓐ	11	15	18
Lead Wire Length(mm)	Ⓑ	150±10	250±10	350±10
Connector	Ⓒ	Connector type available		

Typical Data

Model	Rated Input (W)	Resistance (Ω/Phase)		Step Angle (DEG)	Rotor Inertia		Weight (g)	Magnet Type
			mH		(g·cm ²)			
55SPM25D5	4	6.5	6.3	7.5	Y	62	240	Blanked (Isotropic ferrite) Y (Radial anisotropic ferrite) N (Nd-Fe-B)
55SPM25D7		12	11					
55SPM25DA		3.6	32		N	41		
55SPM25DC		5.0	5.0					

Characteristics

A. Constant Voltage Driving



Characteristics

B. Constant Current Driving

