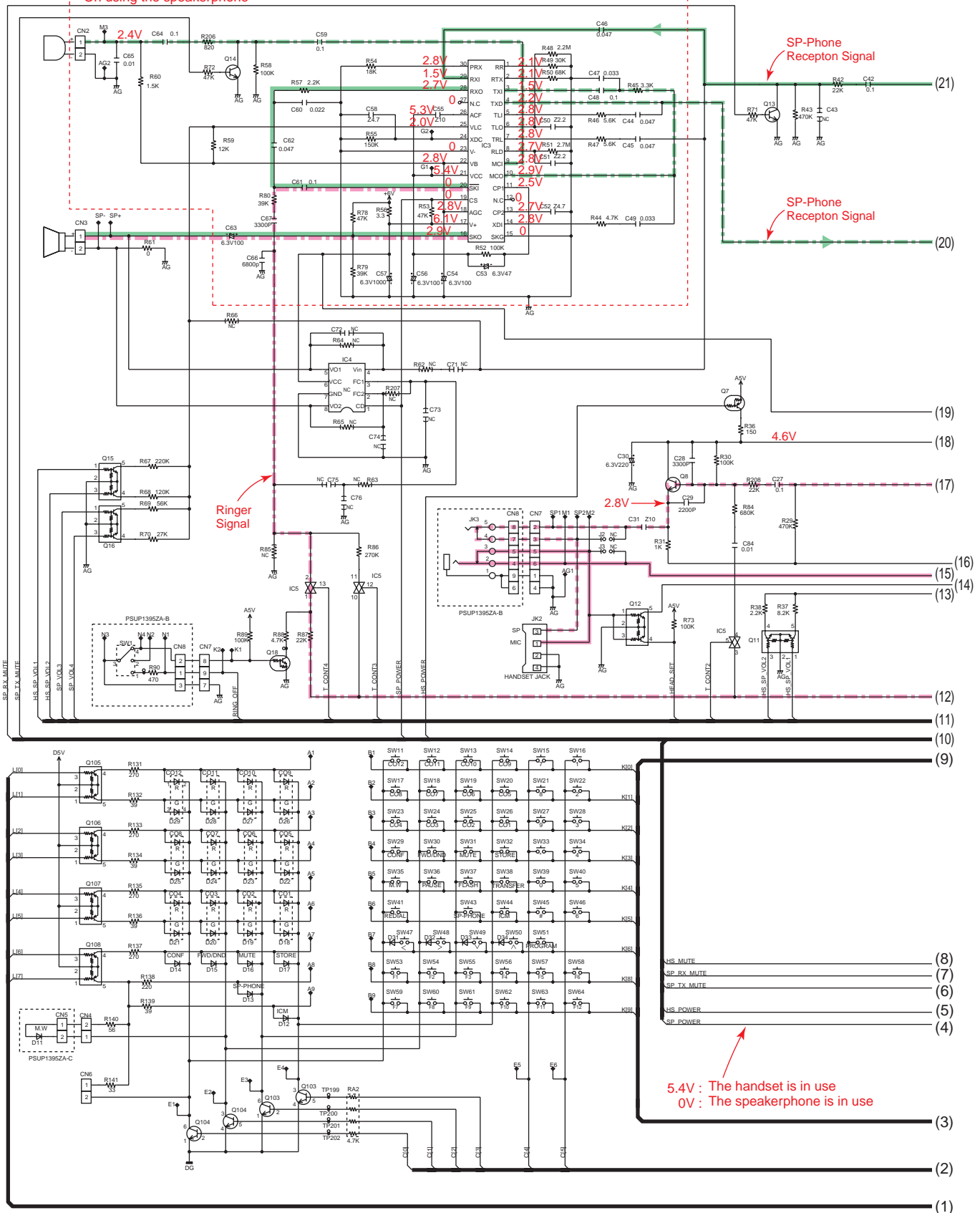


On using the speakerphone



SP-Phone Reception Signal

SP-Phone Reception Signal

Ringer Signal

2.8V

2.4V

2.8V
1.5V
2.7V

5.3V
2.0V
2.7V

2.8V
5.4V
2.9V

2.8V
1.6V
2.9V

4.6V

2.8V

5.4V : The handset is in use
0V : The speakerphone is in use

