

# DPX-3030/MP4030

## SERVICE MANUAL

¥This service manual not included mechanism information please refers to following service manuals.  
¥CD mechanism operation description, circuit diagram and parts list are please refer to the service manual X92-4430-00(B51-7889-00 : for DPX-3030) and X92-4460-00(B51-7891-00 : for DPX-MP4030).  
¥Cassette mechanism operation description is please refer to the service manual D40-1132-05 (B51-7505-00).

FRONT GRASS ASSY  
B10-4377-08 : DPX-3030 M type  
B10-4378-08 : DPX-MP4030 K, M type

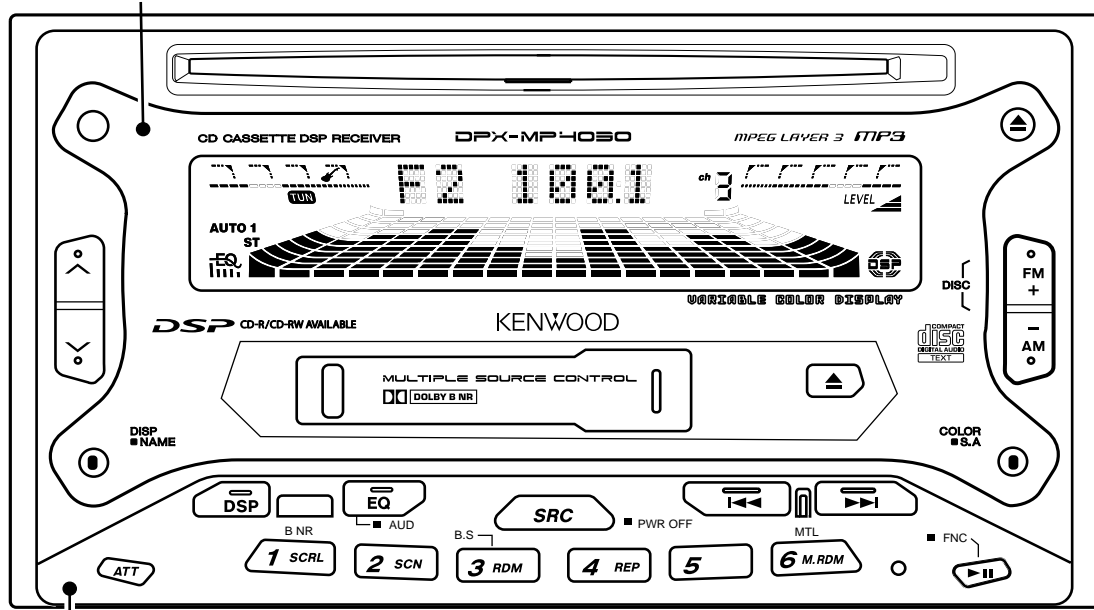
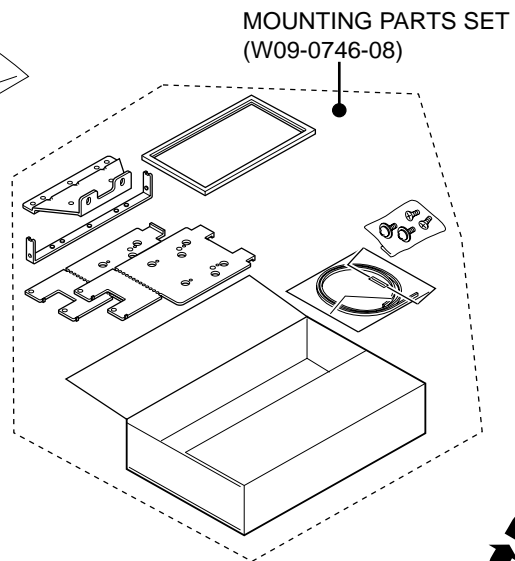
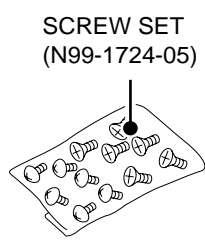
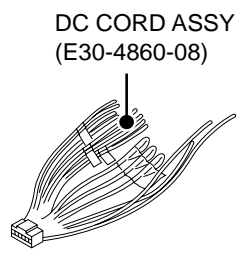
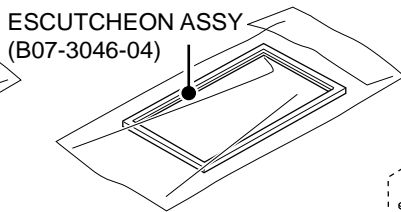
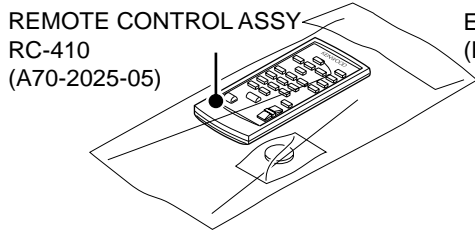


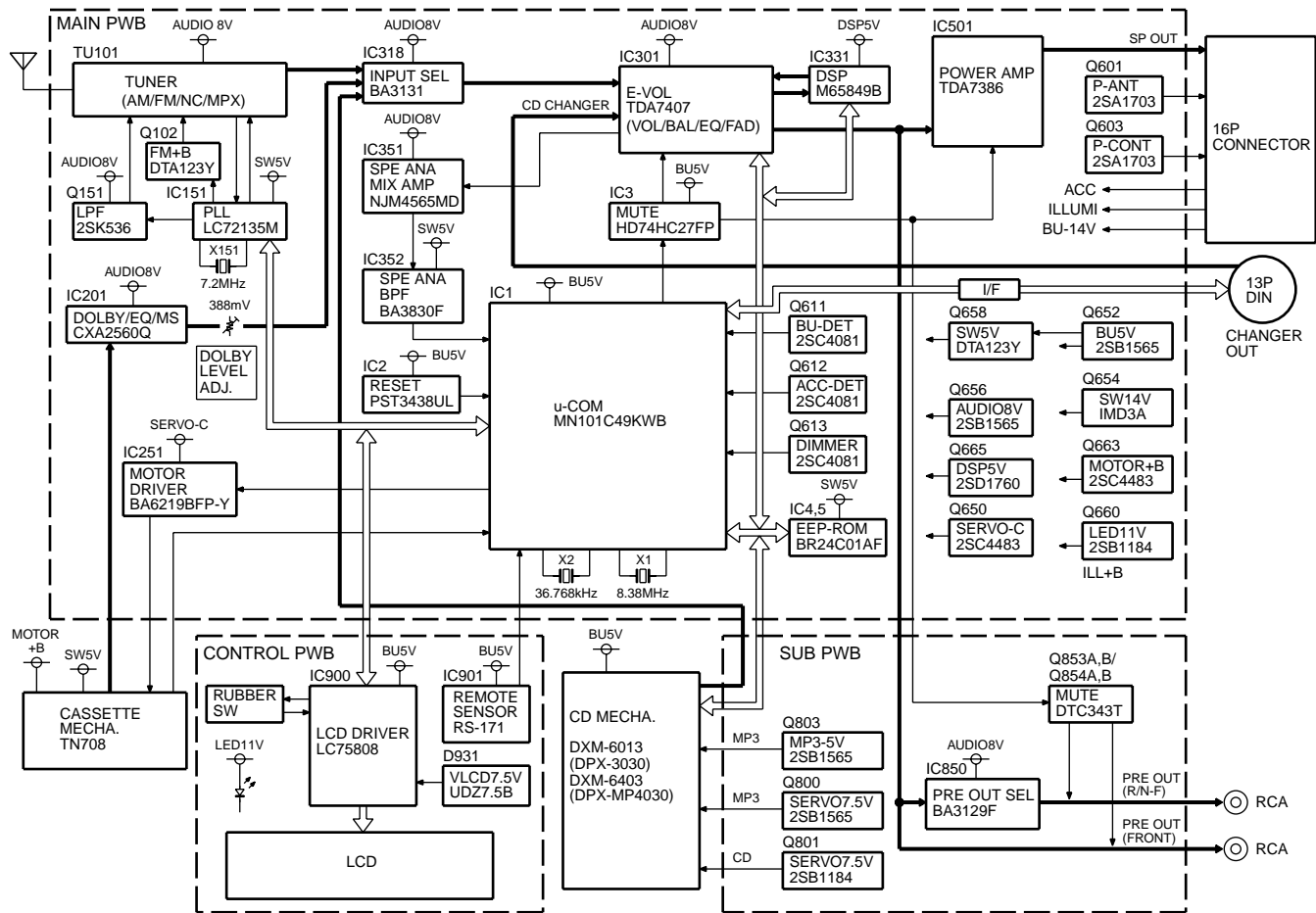
Illustration is DPX-MP4030

PANEL  
A64-2970-08 : DPX-3030 M type  
A64-2971-08 : DPX-MP4030 K,M type



# DPX-3030/MP4030

## BLOCK DIAGRAM / COMPONENTS DESCRIPTION



### MAIN PWB UNIT

Ref.No.	Component Name	Application/Function	Operation/Condition/Compatibility
IC1	MN101C49KWB	SYSTEM MICROPROCESSOR	System microprocessor
IC2	PST3438UL	SYSTEM RESET IC	System reset IC
IC3	HD74HC27FP	MUTING SIGNAL SELECTOR	Muting signal selector
IC4	BR24C01AF	EEPROM	For security code EEPROM
IC151	LC72135M	PLL	PLL IC (built-in IF counter, reference frequencies, phase comparator, pulse swallowed)
IC201	CXA2560Q	CASSETTE SYSTEM IC	CT Audio processor (built-in playback EQ, head select sw, Dolby NR system, muting, music signal interval detection)
IC251	BA6219BFP-Y	MOTOR DRIVER	Sub motor control for Cassette mechanism
IC301	TDA7407	ELECTRONIC VOLUME	Electronic volume (built-in input selector, VR control, muting function, EQ)
IC331	M65849BFP	DSP	DSP IC (built in digital delay, mixing amp, input selector, VR)
IC351	NJM4565MD	1/2VCC, SA MIX AMP	1/2 VCC, spectrum analyzer mix amp
IC352	BA3830F	SPECTRUM ANALYZER IC	Spectrum analyzer BPF (data output to IC1: pin4-pin9)
IC381	BA3131FS	SELECTOR	Audio input selector (from controlled IC1: 86,87PIN)
IC501	TDA7386	AUDIO POWER IC	Audio power IC (built in power standby, muting, protection function)
Q1	DTA124EUA	PRE MUTE SW	Muting sw for pre output signal line
Q2	DTA144EUA	CD CH RESET SW	Reset signal to external CD changer unit
Q3	DTA124EUA	N/F MUTE SW	Muting transistor for N/F output line (from IC1: 83PIN)
Q101	DTC124EUA	MONO/STEREO SW	Tuner mono or stereo mode select sw
Q102	DTA123JK	FM+B SW	Power supply for tuner unit (from controlled IC151: 7PIN)
Q151	2SK536	LPF	LPF for VT voltage (from IC151: 16PIN PD output)

## COMPONENTS DESCRIPTION

Ref.No.	Component Name	Application/Function	Operation/Condition/Compatibility
Q301	DTC144EUA	E-VOL MUTE SW	Muting transistor for electronic volume
Q351	DTC343TK	SA MUTE	Muting transistor for spectrum analyzer (from IC352)
Q352	2SC4081	SA AGC	AGC transistor for spectrum analyzer
Q502	DTC114YUA	AMP SVR SW	SVR controlled for IC151 (from IC1: 77PIN)
Q601	2SA1703-AN	P-ANT AVR	AVR for P-ANT circuit
Q602	DTC114YUA	P-ANT SW	P-ANT control sw (from IC1: 90PIN)
Q603	2SA1703-AN	P-CONT AVR	AVR for P-CONT circuit
Q604	2SA1576A	P-CONT PROTECTION	Protection of P-CONT circuit
Q605	DTA124EUA	P-CONT PROTECTION	Protection of P-CONT circuit
Q606	DTC114EUA	P-CONT SW	Control sw for P-CONT (from IC1 : 91PIN)
Q611	2SC4081	BU ON/OFF DETECTION SW	BU detection sw (to IC1: 26PIN)
Q612	2SC4081	ACC ON/OFF DETECTION SW	ACC detection sw (to IC1: 89PIN)
Q613	DTC144EUA	DIMMER DETECTION SW	Dimmer detection sw (to IC1: 88PIN)
Q650	2SA1703-AN	SERVO C AVR	AVR for CD servo circuit (13.6V)
Q651	2SC4081	BU5V AVR	AVR for BU5V line (5V)
Q652	2SB1565 (E,F)	BU5V AVR	AVR for BU5V line (5V)
Q653	2SC4081	SERVO C AVR	AVR for CD servo circuit (13.6V)
Q654	IMD3AL	14V SW	Control sw for SW14 circuit (from IC1: 96PIN)
Q655	2SD1760	DSP 5V AVR	AVR for DSP 5V line (5V)
Q656	2SB1565 (E,F)	AUDIO 8V AVR	AVR for AUDIO 8V (8V)
Q657	2SC4081	AUDIO 8V AVR	AVR for AUDIO 8V (8V)
Q658	DTA123JK	5V SW	Control sw for SW5V circuit (from IC1: 97pin)
Q659	2SC4081	LED 11V AVR	AVR for 3color LED (12V)
Q660	2SB1184	LED 11V AVR	AVR for 3color LED (12V)
Q663	2SA1703-AN	MOTOR+B AVR	AVR for cassette mechanism motor (14V)
Q664	DTC114YUA	MOTOR+B CONTROL SW	Control sw for cassette mechanism AVR (from IC1: 99PIN)
Q665	IMD2A	LED ON SW	Control sw for 3color LED AVR (from IC1: 98PIN)

## SUB PWB UNIT

Ref.No.	Component Name	Application/Function	Operation/Condition/Compatibility
IC850	BA3129F	REAR/NON FADER SELECTOR SW	Select for pre output
Q800	2SB1565 (E,F)	SERVO 7.5V AVR	AVR for CD mechanism unit (for servo circuit)
Q801	2SB1184	SERVO 7.5V AVR	AVR for CD mechanism unit (for servo circuit)
Q802	2SC4081	SERVO 7.5V AVR	AVR for CD mechanism unit (for servo circuit)
Q803	2SB1565 (E,F)	MP3 5V AVR	AVR for CD mechanism unit (for MP3 circuit)
Q804	2SC4081	MP3 5V AVR	AVR for CD mechanism unit for MP3 circuit)
Q852	DTC124EUA	N/F SEL SW	Control sw for N/F (from IC1: 85PIN)
Q853A	DTC343TK	PRE MUTE	Muting sw of pre out line (RL/NFL)
Q853B	DTC343TK	PRE MUTE	Muting sw of pre out line (RR/NFR)
Q854A	DTC343TK	PRE MUTE	Muting sw of pre out line (L)
Q854B	DTC343TK	PRE MUTE	Muting sw of pre out line (R)

## CONTROL PWB UNIT

Ref.No.	Component Name	Application/Function	Operation/Condition/Compatibility
IC900	LC75808W	LCD DRIVER	LCD driver, key input signal to system microprocessor
IC901	RS-171	REMOTE CONTROL SENSOR	Remote control sensor
Q900	DTA124EUA	REMO. CONTROL SW	AVR control for remote control sensor
Q902	DTA124EUA	KEY CONTROL SW	Control sw for key matrix line
Q903	2SC4081	LED GREEN CONTROL SW	Green LED driver
Q904	2SC4081	LED BLUE CONTROL SW	Blue LED driver
Q905	2SC4081	LED RED CONTROL SW	Red LED driver

# DPX-3030/MP4030

## MICROCOMPUTER'S TERMINAL DESCRIPTION

### IC1 (MAIN PWB UNIT)

Pin No.	Pin Name	I/O	Purpose / Description	Processing Operation
1	VREF-	-	GND	Connected to GND
2	REEL-S	I	Cassette mechanism for rotation of reel detection	Rotation of reel pulse from supply part
3	REEL-T	I	Cassette mechanism for rotation of reel detection	Rotation of reel pulse from take-up part
4	SA01	I	Spectrum analyzer input terminal	63Hz input (from IC352,17PIN)
5	SA02	I	Spectrum analyzer input terminal	150Hz input (from IC352,16PIN)
6	SA03	I	Spectrum analyzer input terminal	330Hz input (from IC352,15PIN)
7	SA04	I	Spectrum analyzer input terminal	1KHz input (from IC352,14PIN)
8	SA05	I	Spectrum analyzer input terminal	3.3KHz input (from IC352,13PIN)
9	SA06	I	Spectrum analyzer input terminal	10KHzinput (from IC352,12PIN)
10	VREF+	-	Power supply input terminal	Connected to BU+5V
11	VDD1	-	Power supply input terminal	Connected to BU+5V
12	OSC2	O	Main crystal output terminal	X1 (8.38MHz)
13	OSC1	I	Main crystal input terminal	X1 (8.38MHz)
14	VSS	-	GND	Connected to GND
15	XI	I	Sub crystal input terminal	X2 (32.768KHz)
16	XO	O	Sub crystal output terminal	X2 (32.768KHz)
17	MMOD	I	Memory extension mode setting input terminal	Connected to GND
18	MODE3	I	Operation mode of cassette mechanism detection input terminal	SW3 from cassette mechanism
19	MODE1	I	Operation mode of cassette mechanism detection input terminal	SW1 from cassette mechanism
20	MODE2	I	Operation mode of cassette mechanism detection input terminal	SW2 from cassette mechanism
21	CH-DATAH	O	Control of external CD Changer	Data out put for external CD changer
22	CH-DATAC	I	Control of external CD Changer	Data input from external CD changer
23	CH-CLK	I/O	Control of external CD Changer	CLOCK input / output terminal for external CD changer
24	BEEP	O	BEEP sound output terminal	BEEP ON "H" BEEP OFF "L"
25	SUB M+	O	Motor driver control output terminal	Control of sub motor for cassette mechanism
26	BU-DET	I	BU voltage detection input terminal	L : BU detection
27	CH-REQC	I	Control of external CD Changer	REQ input from external CD changer
28	REMO	I	Remote control signal input terminal	Remote control signal input terminal
29	LCD-DI	I	LCD driver control output terminal	DATA input form LCD driver (from IC900, 97PIN)
30-32	NC	I	-	Connected to GND
33	/RESET	I	System reset input terminal	L : RESET
34	LED RED	O	Adjustment of brightness for LED	PWM output for RED LED
35	SUB M-	O	Motor driver control output terminal	Control of sub motor for cassette mechanism
36	LED BLU	O	Adjustment of brightness for LED	PWM output for BLUE LED
37	ILL ON	O	Illumination LE power supply control output terminal (to operation key)	H : illumination ON
38	/LCD-INH	O	Control of LCD driver	INH output for LCD driver (to IC900, 96PIN)
39	LCD-CE	O	Control of LCD driver	CE output for LCD driver(to IC900, 98PIN)
40	LED GRN	O	Adjustment of brightness for LED	PWM output for GREEN LED
41	NC	O	-	Connected to GND
42	LCD-DO	O	Control of LCD driver	DATA output for LCD driver (to IC900, 100PIN)
43	LCD-DI	I	Control of LCD driver	DATA input from LCD driver (from IC900, 97PIN)
44	LCD-CLK	O	Control of LCD driver	CLK output for LCD driver (to IC900, 99PIN)

## MICROCOMPUTER'S TERMINAL DESCRIPTION

Pin No.	Pin Name	I/O	Purpose / Description	Processing Operation
45	I2C-SDA	I/O	Control of CD mechanism	E VOL and E2P ROM input / output data for CD mechanism
46	NC	O	-	Connected to GND
47	I2C-SCL	I/O	Control of CD mechanism	E VOL and E2P ROM input / output clock signal for CD mechanism
48	DMA-SCL	I/O	Control of input/output clock for external ROM	NC
49	DMA-SDA	I/O	Control of input/output data for external ROM	NC
50	JS TYPE1	I	Mode change of Chastity model or on the market model	L : On the market model
51	JS TYPE2	I	Mode change of Chastity model or on the market model	L : On the market model
52	/CD/MP3	I	Mode change for destination	L : DPX-3030 H : DPX-MP4030
53	TYPE1	I	Mode change for destination	L : M type H : K type
54	TYPE2	I	Mode change for destination	L : K type H : M type
55	TYPE3	I	Mode change for destination	L : ALL MODEL
56	MS-MODE	O	Blank detection mode control of TAPE function	L : FF/REW H : PLAY (to IC201, 20PIN)
57	C-F/R	O	Playback head switching control output terminal	L : FORWARD H : REVERES (to IC201, 19PIN)
58	/MTL	O	Playback equalizer control	L : 70usec H : 120usec
59	C-MUTE	O	Muting for cassette	L : MUTE OFF H : MUTE ON (to IC201, 17PIN)
60	DOLBY	O	Dolby NR SW	L : NR OFF H : NR ON (to IC201, 16PIN)
61	/MS IN	I	Blank detection input terminal	Blanc of music : H found in music : L (from IC201, 14PIN)
62	PLL CE	O	Control of PLL IC	CE signal output for PLL IC (to IC151, 2PIN)
63	PLL DI	I	Control of PLL IC	Data signal input form PLL IC (to IC151, 5PIN)
64	PLL DO	O	Control of PLL IC	Data signal output for PLL IC (to IC151, 3PIN)
65	PLL CLK	O	Control of PLL IC	Clock signal output for PLL IC (to IC151, 5PIN)
66	/SD/ST-IND	I	F/E SD, ST-IND input terminal	SEEK function H : receive the radio station, Tuner mode H : MONO L : Stereo
67	CD-SW2	I	Control of CD mechanism	12cm DISC EJ END detection form CD mechanism
68	CD-SW1	I	Control of CD mechanism	LOADING START SW detection form CD mechanism
69	/CD-MUTE-L	I	Control of CD mechanism	Control of muting signal from CD mechanism
70	/CD-RST	O	System reset output terminal	L : RESET
71	/CD-STOP	O	Control of CD mechanism (for CD STOP mode)	H : PLAY L : STOP
72	CD-SW4	I	Control of CD mechanism	Detection of 8cmDISC EJ END SW input (form CD mechanism)
73	CD-SW3	I	Control of CD mechanism	Detection of down limit SW input (form CD mechanism)
74	CD-LO/EJ	I/O	Control of CD mechanism	LO/EJ SW input/output control signal (from CD mechanism)
75	CD-LMON	O	Control of CD mechanism	To motor driver SW output
76	/AMP-MUTE	O	Control of power pack IC for muting mode	L : MUTE ON (to IC501 : 22PIN)
77	AMP-SVR	O	Control of power pack IC for SVR mode	Control of pop noise for Power pack IC (power ON/OFF function)
78	/AMP-STBY	O	Control of power pack IC for standby mode	L : Standby H : AMP ON (to IC501, 4PIN)
79	DSP-DATA	O	Control of DSP	Data output for DSP IC (to IC331, 5PIN)
80	DSP-STB	O	Control of DSP	Strobe signal for DSP IC (to IC331, 4PIN)
81	DSP-CLK	O	Control of DSP	Clock signal for DSP IC (tor IC331, 3PIN)
82	SA-MUTE	O	Muting for spectrum analyzer input signal	NC

# DPX-3030/MP4030

## MICROCOMPUTER'S TERMINAL DESCRIPTION

Pin No.	Pin Name	I/O	Purpose / Description	Processing Operation
83	/N/F-MUTE	O	Control of ON/OFF for N/F output	H : MUTE OFF L : MUTE ON
84	MUTE	O	Control of AUDIO muting	H : MUTE ON L : MUTE OFF
85	N/F SEL F/R	O	Mode change of FAD or N/F output	H : FRONT L : REAR for FAD mode output : REAR, N/Mode output F/R)
86	SEL1	O	Audio selector control terminal (TUNER/TAPE/CD)	Control of IC381 (reference of list)
87	SEL2	O	Audio selector control terminal (TUNER/TAPE/CD)	Control of IC381 (reference of list)
88	/DIMMER	I	DIMMER function input terminal	L : Illumination ON (from DIMMER DET : Q613)
89	ACC-DET	I	ACC voltage detection input terminal	L : ACC ON (to ACC DET : Q612)
90	P-ANT	O	Control of Power-ANT output terminal	Tuner mode : H CD/CASSETTE/CD CHANGER : L
91	P-CONT	O	Control of external power AMP	H : ON (to Power control : Q606)
92	NC	O	-	Connected to GND
93	CH-REQH	O	Control of external CD Changer	REQ out put for external CD changer
94	CH-CONT	O	Control of external CD Changer	H : CD changer power ON
95	DAVSS	-	GND	Connected to GND
96	P-ON	O	Control of power supply for SW14V	H : ON (to SW14V : Q664)
97	/SW5V	O	Control of power supply for SW5V	L : ON (to SW5V : Q658)
98	3LED-ON	O	Control of power supply for 3color LED	H : ON (to LED11V : Q665)
99	MOTOR	O	Control of power supply for cassette mechanism motor	H : ON=TAPE play (to MOTOR+B : Q664)
100	DAVDD	-	Power supply input terminal	Connected to BU+5V

### Audio input selector

	SEL1 (86PIN)	SEL2 (87PIN)
TUNER	H	H
TAPE	L	H
CD	H	L
OFF/ OTHERS	L	L

### PLL Extension IC : IC151 (MAIN PWB UNIT)

Pin No.	Pin Name	I/O	Purpose / Description	Processing Operation
6	IF CTRL	O	Request of a function IF count, and SEEK mode signal output	L : Receive the radio station H : SEEK function
7	FM	O	Change of mode for FM function (to VCC)	L : FM H : AM
9	MO/ST	O	Change of forced mode for monophonic	L : STEREO H : Forced mode for monophonic : This pin condition is L when SEEK mode (for STEREO indicator cut off when forced mode for monophonic).
10	AM IFC	I	AM IF count input terminal	Into AM SEEK mode was stopped when it is carried out with AM-SD.
8,11,12	NC	O	NC	-

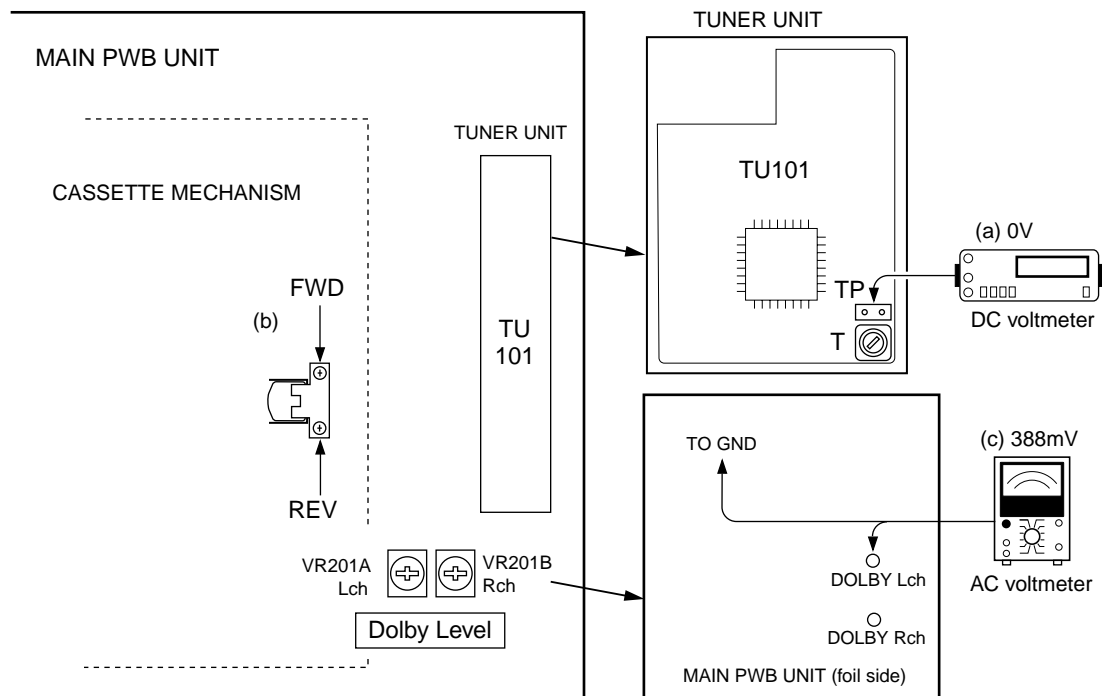
## ADJUSTMENT

- Setting for the unit condition as follows.

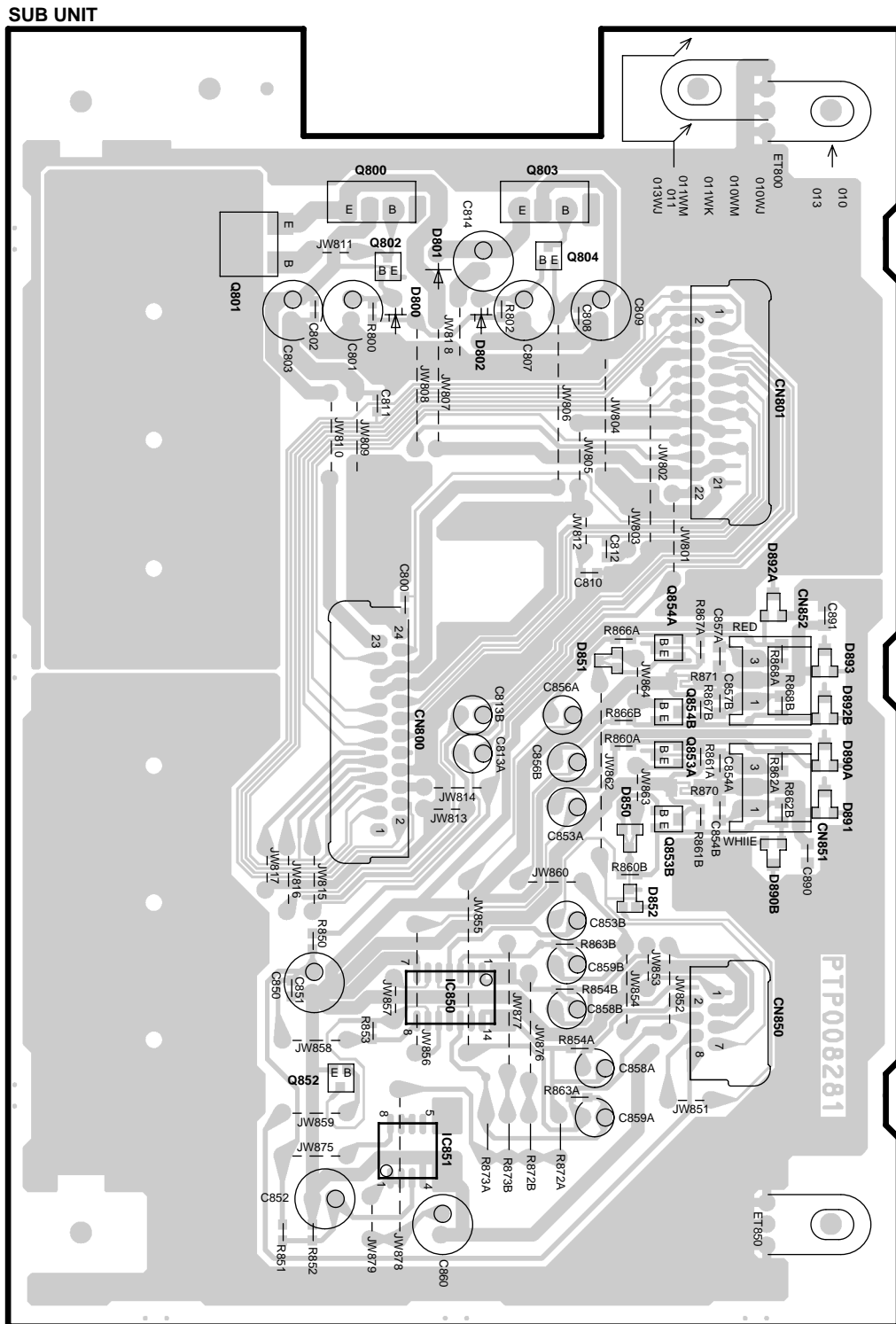
BALANCE/BASS/TREBLE/FADER : Center Position, DOLBY/LOUD/DSP : OFF

TUNER BAND : FM

No.	ITEM	INPUT SETTINGS	OUTPUT SETTINGS	TUNER (RECEIVER) SETTINGS	ALIGNMENT POINT	ALIGN FOR	FIG
<b>FM TUNER SECTION</b>							
1	DISCRIMINATOR	98.1MHz 0dbv, 60db $\mu$ , (ANT input)	Connect a DC Voltmeter to TP F/E (TU101)	FM 98.1MHz	T F/E (TU101)	0V	(a)
<b>TAPE DECK SECTION</b>							
1	CLEANING	-	-	-	PB Head, capstan, pinch roller	Clean the PB Haed,capstan and pinch roller using a cotton swab slightly damped with alcohol	-
2	AZIMUTH (Tape running condition)	MTT-902 Mirror Tape	-	PLAY	Azimuth adjustment screw FWD (A), REV (B)	Playing the mirror tape in FWD mode, adjust the azimuth adjustment screw (A) and (B) so as to eliminate a curl at the guides on both ends of head while looking in to the mirror tape. After that you can adjust same manner for the REV side.	(b)
3	AZIMUTH	TCC-153 10KHz, -10db	Connect the AC Voltmeter and Oscilloscope to pri output terminal	PLAY	Azimuth adjustment screw FWD (A), REV (B)	Adjust the output to maximum and adjust the azimuth adjustment screw for the Lissajours waveform pattern of the oscilloscope to become close to a 45°straight line.	(b)
4	PLAY BACK LEVEL (Dolby Level)	TCC-130 400Hz, Dolby	Connect the AC Voltmeter to between Dolby level output and GND.	PLAY	VR201A (L), VR201B (R)	388mV (-6dbs) Adjust the L/R channel for FWD side. After adjusting the FWD side, check the playback level for the REW side so that the playback lever are between 330mV to 480mV.	(c)



# PC BOARD (FOIL SIDE VIEW)



SUB UNIT

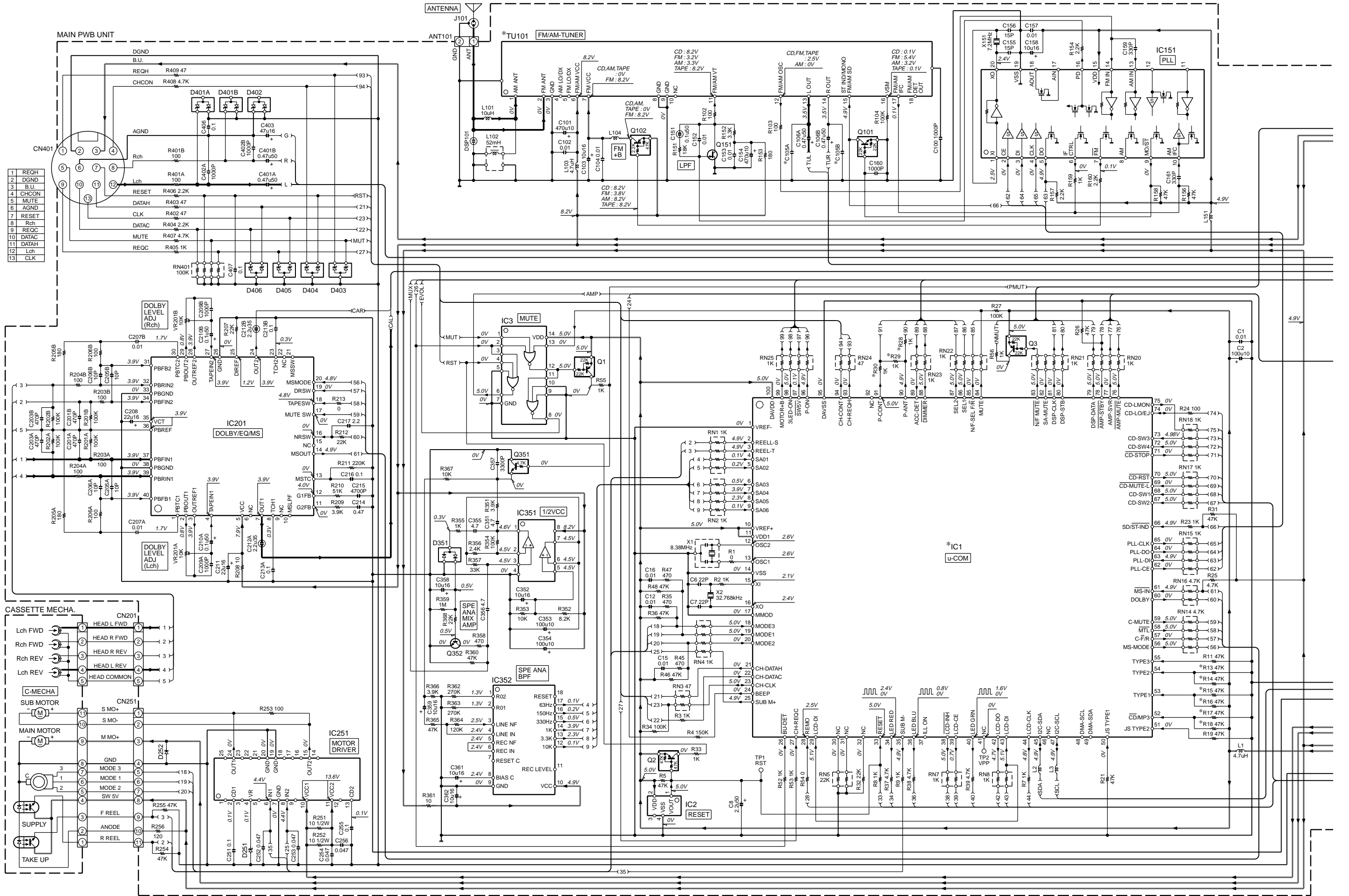
IC	Q	Address	IC	Q	Address	IC	Q	Address
850	5C		803	2C		853B	4D	
800	2C		804	2C		854A	4D	
801	2B		852	5B		854B	4D	
802	2C		853A	4D				

Refer to the schematic diagram for the values of resistors and capacitors.

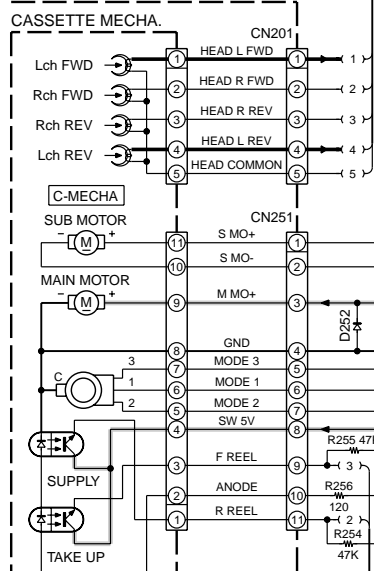




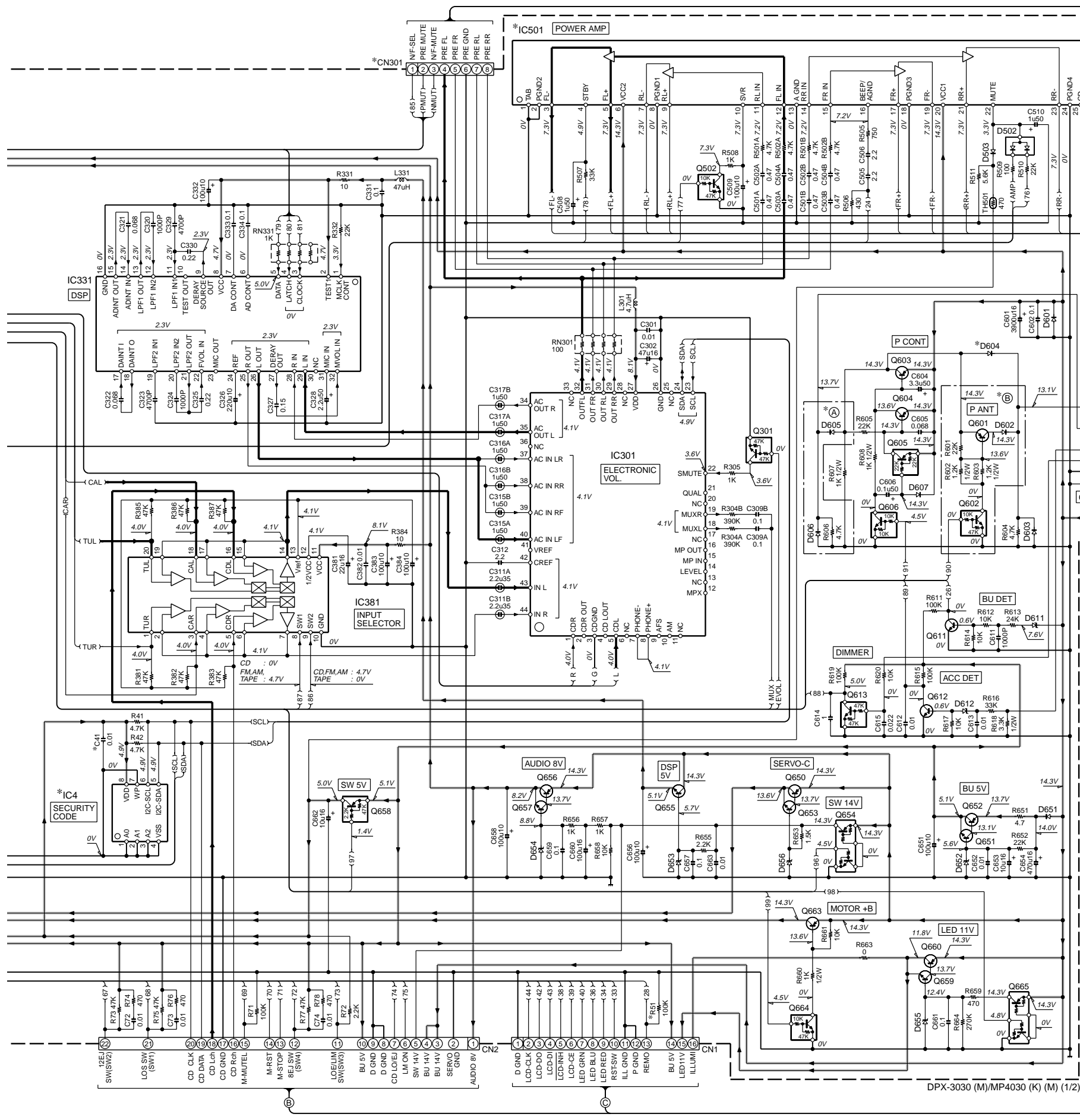




- 1 REQH
- 2 DGND
- 3 B.U.
- 4 CHCON
- 5 MUTE
- 6 AGND
- 7 RESET
- 8 Rch
- 9 REOC
- 10 DATA
- 11 DATAH
- 12 Lch
- 13 CLK



7



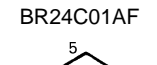
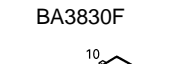
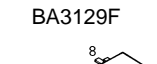
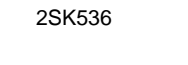
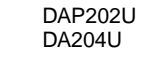
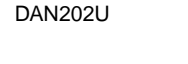
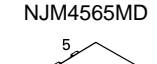
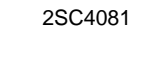
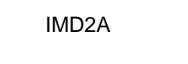
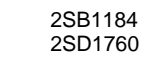
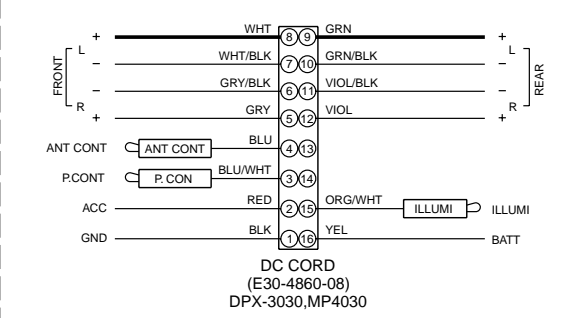
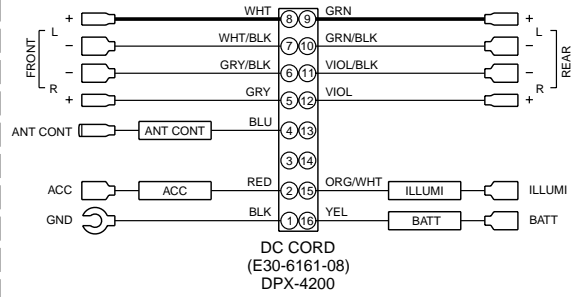
SIGNAL LINE  
GND LINE  
+B LINE

MODEL NAME	ABB.	(A)	(B)	C41	C105A	CN301	D604	IC1	IC4
DPX-4200	J	NO	NO	4700P	NO	YES	NO	MN101C49KWC	NO
DPX-3030	M	YES	YES	0.012	YES	NO	NO	MN101C49KWB	YES
DPX-MP4030	K	YES	YES	0.012	YES	NO	NO	MN101C49KWB	YES
DPX-MP4030	M	YES	YES	0.012	YES	NO	NO	MN101C49KWB	YES

MODEL NAME	ABB.	IC501	R13	R14	R15	R16	R17	R18	R28	R29	TU101
DPX-4200	J	TDA7384A	YES	NO	YES	NO	YES	NO	NO	YES	W02-3383-08
DPX-3030	M	TDA7386	NO	YES	YES	NO	YES	NO	YES	NO	W02-3384-08
DPX-MP4030	K	TDA7386	YES	NO	YES	NO	YES	NO	YES	YES	W02-3384-08
DPX-MP4030	M	TDA7386	NO	YES	YES	NO	YES	NO	YES	NO	W02-3384-08

- IC1 : \*  
IC2 : PST3438UL  
IC3 : HD74HC27FP  
IC4 : BR24C01AF  
IC151 : LC72135M  
IC201 : CXA2560Q  
IC251 : BA6219BFP-Y  
IC301 : TDA7407  
IC331 : M65849BFP  
IC351 : NJM4565MD  
IC352 : BA3830F  
IC381 : BA3131FS  
IC501 : \*
- D251 : RD3.9E(B1)  
D252 : 11ES2C  
D351 : DA204U  
D401A/B,402-406 : HZM6.2ZWA  
D502 : DAP202U  
D503,607 : 1SS40  
D601 : RM10Z  
D602-606 : 1SR154-100  
D611,612 : HZS7L6C  
D651 : SB04  
D652,653 : HZS6B1L  
D654 : MA4091(N)-L  
D655 : HZS12A1L  
D656 : MA4220-L

- Q1,3,605 : DTA124EUA  
Q2 : DTA144EUA  
Q101 : DTC124EUA  
Q102,658 : DTA123JK  
Q151 : 2SK536  
Q301,613 : DTC144EUA  
Q351 : DTC343TK  
Q352,611,612,651,653,657,659 : 2SC4081  
Q502,602,664 : DTC114YUA  
Q601,603,650,663 : 2SA1703-AN  
Q604 : 2SA1576A  
Q606 : DTC114EUA  
Q652,656 : 2SB1565(E,F)  
Q654 : IMD3AL  
Q655 : 2SD1760  
Q660 : 2SB1184  
Q665 : IMD2A



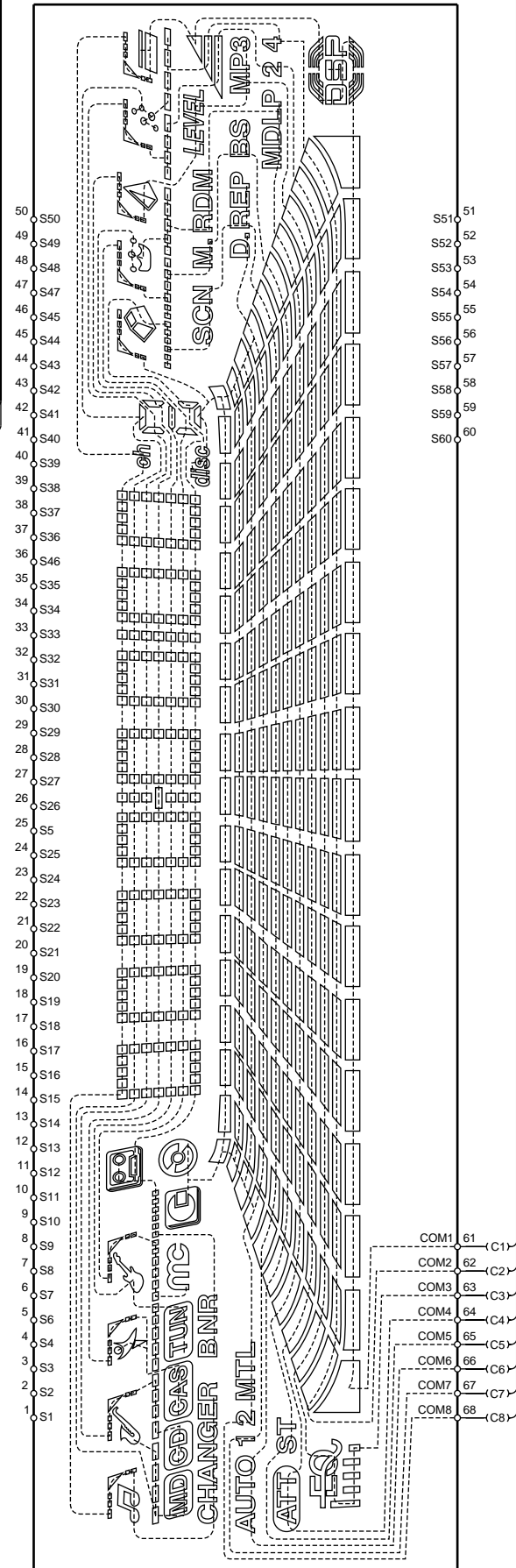
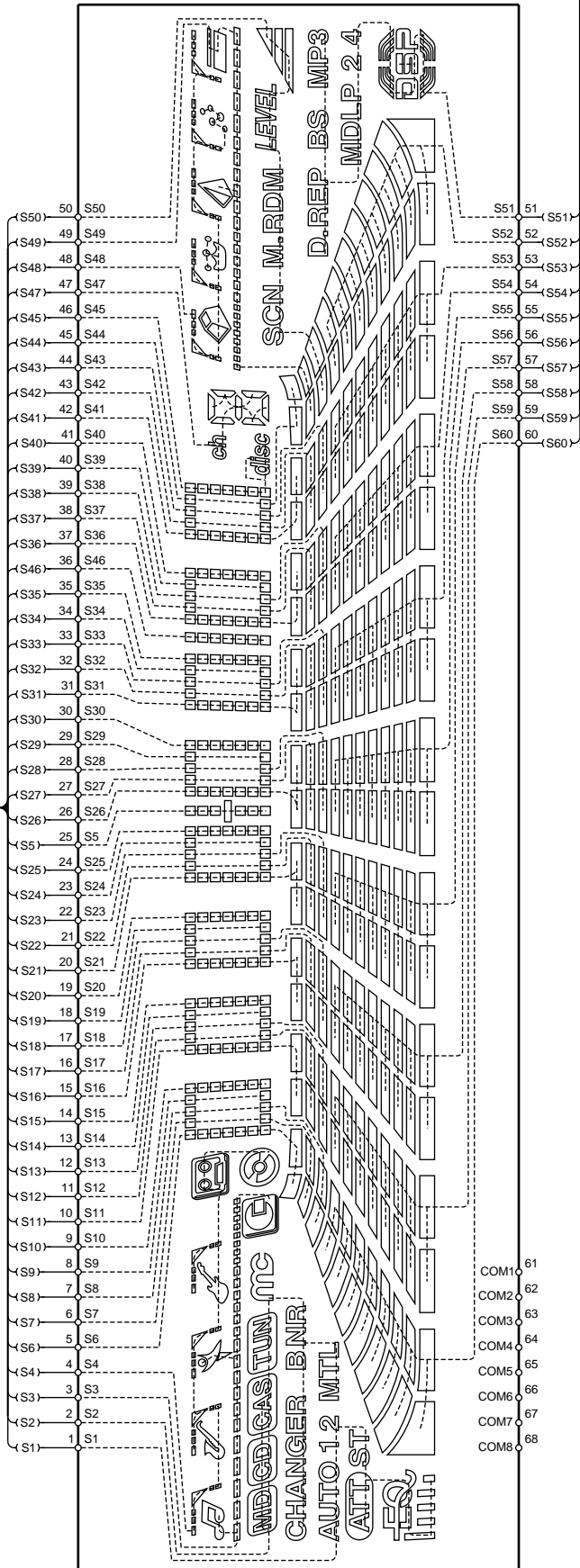
**CAUTION :** For continued safety, replace safety critical components only with manufacturer's recommended parts (refer to parts list).  
 ⚠ Indicates safety critical components. To reduce the risk of electric shock, leakage-current or resistance measurements shall be carried out (exposed parts are acceptably insulated from the supply circuit) before the appliance is returned to the customer.

- DC voltages are as measured with a high impedance voltmeter. Values may vary slightly due to variations between individual instruments or/and units.



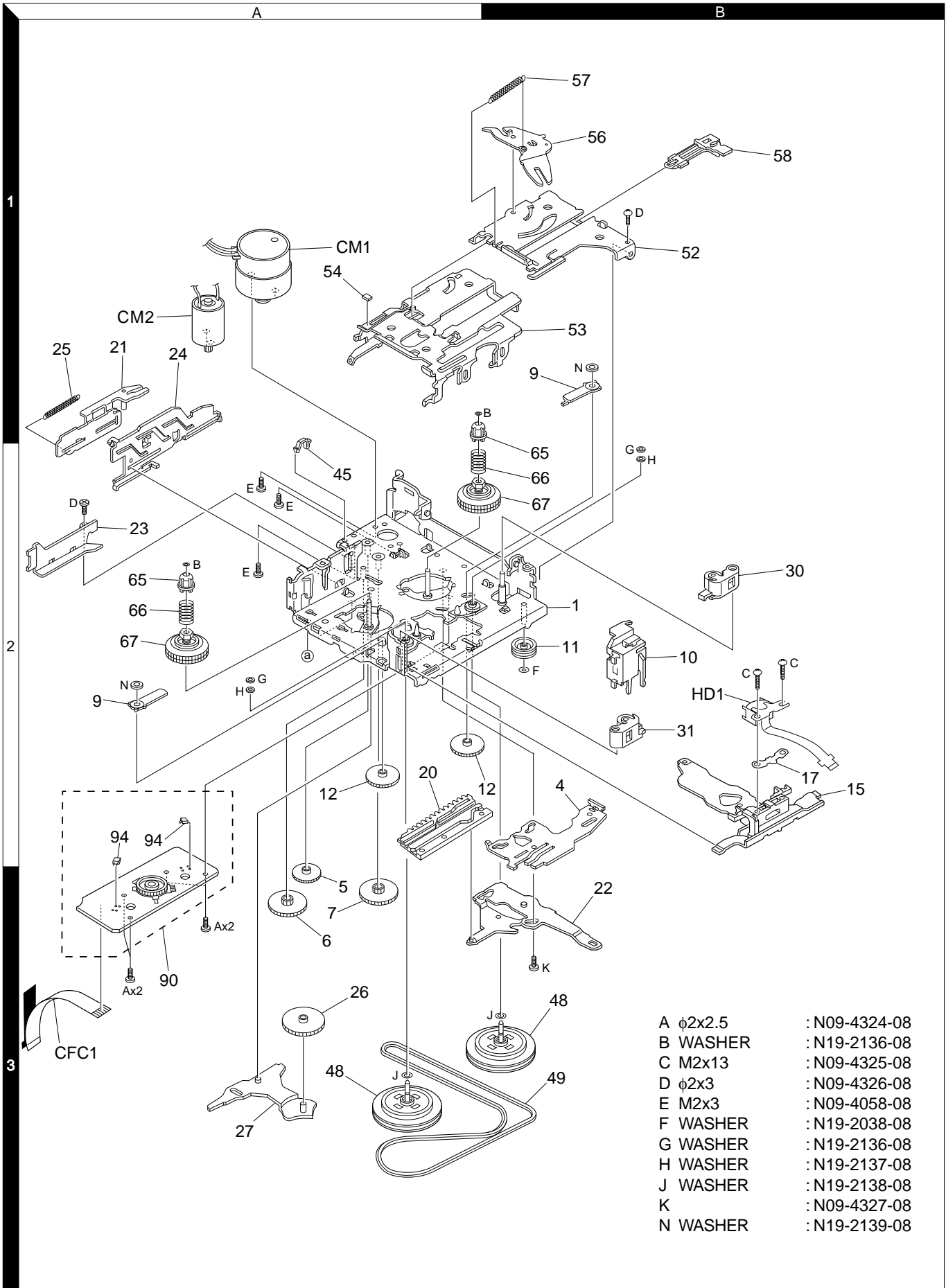
LCD900 (SEGMENT)

LCD900 (COMMON)



# DPX-3030/MP4030

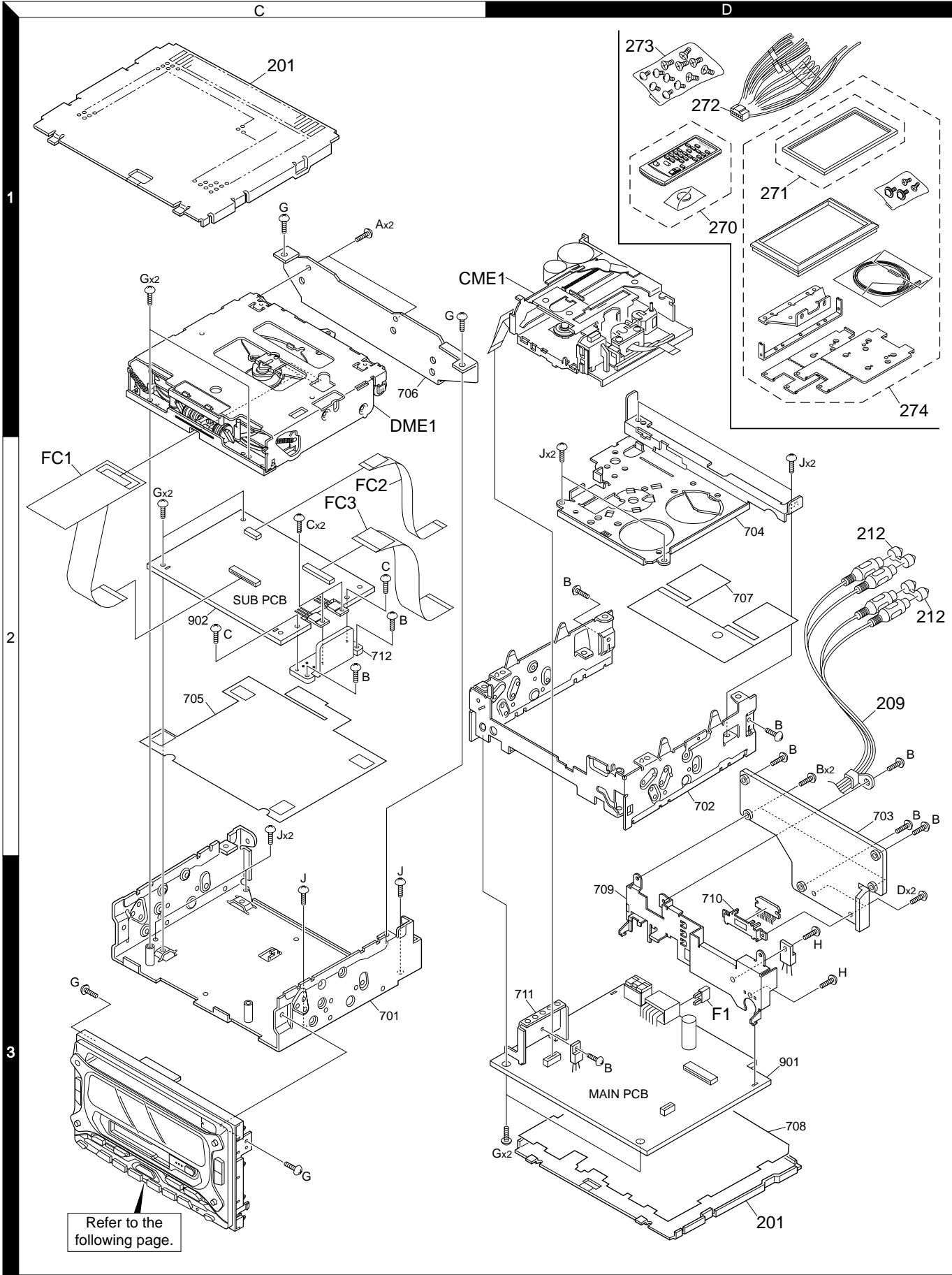
## EXPLODED VIEW (CASSETTE MECHANISM)



A	φ2x2.5	:	N09-4324-08
B	WASHER	:	N19-2136-08
C	M2x13	:	N09-4325-08
D	φ2x3	:	N09-4326-08
E	M2x3	:	N09-4058-08
F	WASHER	:	N19-2038-08
G	WASHER	:	N19-2136-08
H	WASHER	:	N19-2137-08
J	WASHER	:	N19-2138-08
K		:	N09-4327-08
N	WASHER	:	N19-2139-08

# DPX-3030/MP4030

## EXPLODED VIEW (UNIT)



Parts with the exploded numbers larger than 700 are not supplied.



# DPX-3030/MP4030

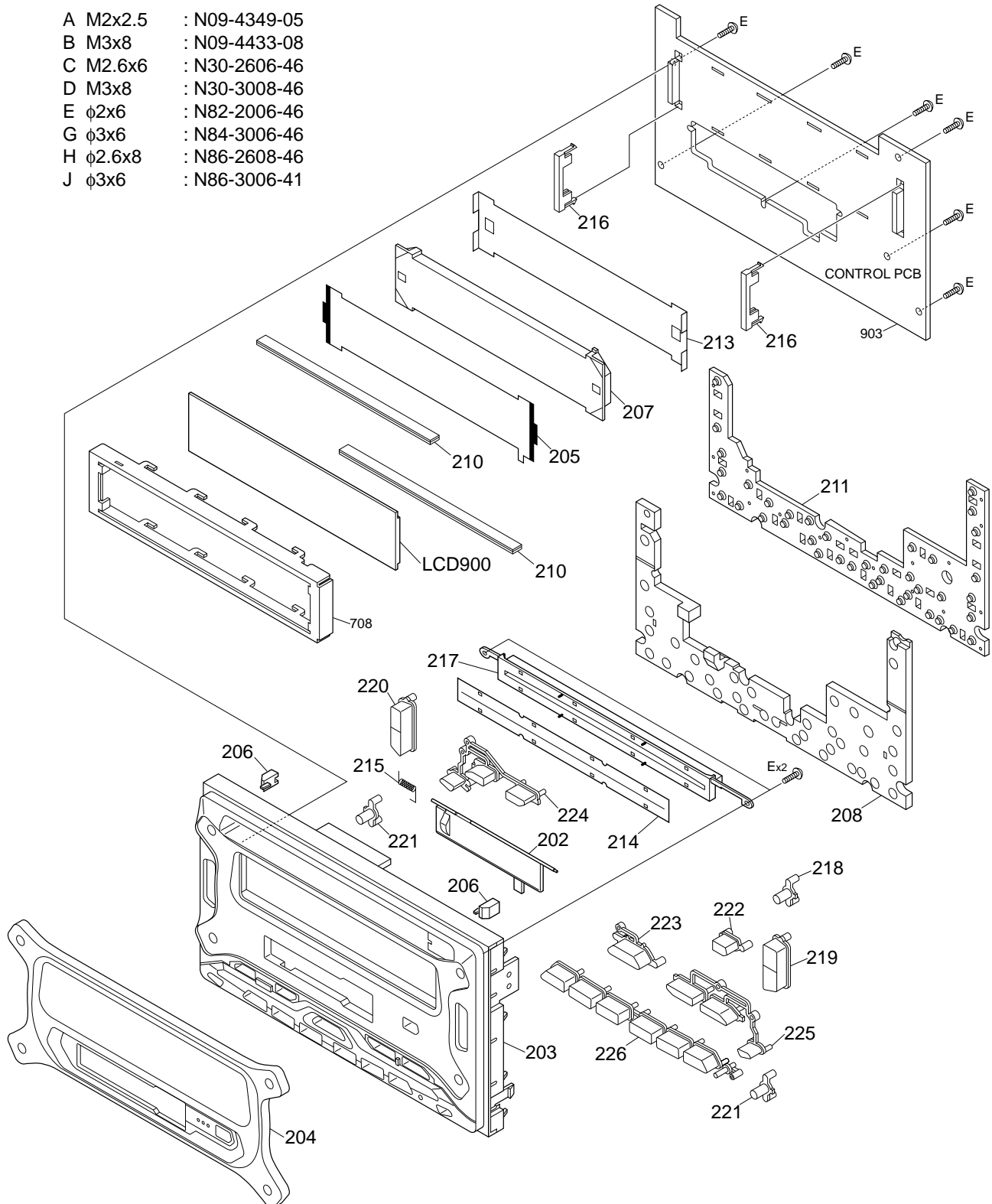
## EXPLODED VIEW (PANEL)

- |   |        |               |
|---|--------|---------------|
| A | M2x2.5 | : N09-4349-05 |
| B | M3x8   | : N09-4433-08 |
| C | M2.6x6 | : N30-2606-46 |
| D | M3x8   | : N30-3008-46 |
| E | φ2x6   | : N82-2006-46 |
| G | φ3x6   | : N84-3006-46 |
| H | φ2.6x8 | : N86-2608-46 |
| J | φ3x6   | : N86-3006-41 |

1

2

3



Parts with the exploded numbers larger than 700 are not supplied.

## PARTS LIST

\* New parts

Parts without **Parts No.** are not supplied.

Les articles non mentionnes dans le **Parts No.** ne sont pas fournis.

Teile ohne **Parts No.** werden nicht geliefert.

Ref. No.	A d d	N e w	Parts No.	Description	Desti- nation
<b>DPX-3030/DPX-MP4030</b>					
201	1C	*	A52-0743-18	TOP PLATE	
202	3E	*	A53-1711-08	CASSETTE LID	
203	3E	*	A64-2970-08	PANEL	M
203	3E	*	A64-2971-08	PANEL	K,M2
204	3E	*	B10-4377-08	FRONT GLASS ASS'Y	M
204	3E	*	B10-4378-08	FRONT GLASS ASS'Y	K,M2
205	1F	*	B11-1394-08	OPTICAL DIFFUSER	
206	2E	*	B19-2016-08	LIGHTING BOARD	
207	1F	*	B19-2194-08	LIGHTING BOARD	
208	2F	*	B19-2195-08	LIGHTING BOARD	
209	2D	*	E30-4927-08	AUDIO CORD	
210	2E	*	E29-1922-08	CONDUCTIVE RUBBER	
211	2F	*	E29-1923-08	CONDUCTIVE RUBBER	
212	2D	*	F29-0049-05	INSULATING COVER	
213	1F	*	F09-1780-08	SHEET	
214	2F	*	F19-1350-08	COVER	
215	2E	*	G09-2052-08	SPRING	
216	1F	*	J19-5192-08	HOLDER	
217	2F	*	J90-0962-08	GUIDE	
218	3F	*	K24-3988-08	KNOB CD EJECT	
219	3F	*	K24-3989-08	KNOB FM/AM	
220	2E	*	K24-3990-08	KNOB VOLUME	
221	2E	*	K24-3991-08	KNOB DISP/COLOR	
222	3F	*	K24-3992-08	KNOB CASSETTE EJECT	
223	3F	*	K24-3993-08	KNOB SRC	
224	2F	*	K25-1515-08	KNOB DSP/EQ/ATT	
225	3F	*	K25-1516-08	KNOB SEEK (SKIP)	
226	3F	*	K25-1517-08	KNOB PRESET (1-6)	
270	1D	*	A70-2025-05	REMOTE CONTROLLER (RC-410)	K,M2
271	1D	*	B07-3046-04	ESCUTCHEON ASS'Y	M,M2
272	1D	*	E30-4860-08	DC CORD ASSY	
273		*	N99-1724-05	SCREW SET	
274		*	W09-0746-08	MOUNTING PARTS SET K	
FC1	2C	*	E39-0533-08	FLAT CABLE 24PIN	
FC2	2C	*	E39-0534-08	FLAT CABLE	
FC3	2C	*	E39-0535-08	FLAT CABLE 22PIN	
△ F1	3D	*	F06-1032-05	FUSE 10A	
-		*	B46-0100-50	WARRANTY CARD	
-		*	B46-0606-04	ID CARD	
-		*	B58-1365-04	CAUTION CARD	

Ref. No.	A d d	N e w	Parts No.	Description	Desti- nation
-		*	B64-2319-00	INST.MANUAL (ENG,T,CHI)	M,M2
-		*	B64-2320-00	INST.MANUAL (ARA)	M,M2
-		*	B64-2321-00	INST.MANUAL (KOR)	M,M2
-		*	B64-2322-00	INST.MANUAL (ENG,FRE,SPA)	K
-		*	H10-4841-08	POLYSTYRENE FOAMED FIXTURE (L)	
-		*	H10-4842-08	POLYSTYRENE FOAMED FIXTURE (R)	
-		*	H11-1522-08	POLYSTYRENE FOAMED BOARD (BACK)	M
-		*	H25-0336-04	PROTECTION BAG (170X290)	
-		*	H25-1127-04	PROTECTION BAG	
-		*	H54-2576-08	ITEM CARTON CASE DPX-3030	M
-		*	H54-2577-08	ITEM CARTON CASE DPX-MP4030	K
-		*	H54-2578-08	ITEM CARTON CASE DPX-MP4030	M2
CME1	1D	*	D40-1179-08	MECHANISM ASS'Y TN708	
DME1	1C	*	X92-4430-03	MECHANISM ASS'Y DXM-6013	M
DME1	1C	*	X92-4460-03	MECHANISM ASS'Y DXM-6403	K,M2
A	1C	*	N09-4349-05	TAPTITE SCREW	
B	2D	*	N09-4433-08	TAPPING SCREW	
C	2E	*	N30-2606-46	PAN HEAD MACHINE SCREW	K,M2
D	3D	*	N30-3008-46	PAN HEAD MACHINE SCREW	
E	1F	*	N82-2006-46	BINDING HEAD TAPTITE SCREW	
G	1C	*	N84-3006-46	PAN HEAD TAPTITE SCREW	
H	3D	*	N86-2608-46	BINDING HEAD TAPTITE SCREW	
J	2D	*	N86-3006-41	PAN HEAD TAPTITE SCREW	
<b>MAIN PWB UNIT</b>					
C1		*	CK73GB1H103K	CHIP C 0.010UF	K
C2		*	CE04CW1A101M	ELECTRO 100UF	10WV
C6,7		*	CC73GCH1H220J	CHIP C 22PF	J
C8		*	C90-2610-05	ELECTRO 2.2UF	50WV
C12		*	CK73GB1H103K	CHIP C 0.010UF	K
C15,16		*	CK73GB1H103K	CHIP C 0.010UF	K
C41		*	CK73GB1H103K	CHIP C 0.010UF	K
C72-74		*	CK73GB1H103K	CHIP C 0.010UF	K
C100		*	CK73GB1H102K	CHIP C 1000PF	K
C101		*	C90-2949-08	ELECTRO 470UF	10WV
C102		*	CK73GB1H103K	CHIP C 0.010UF	K
C103		*	C90-2597-05	ELECTRO 10UF	16WV
C104		*	CK73GB1H103K	CHIP C 0.010UF	K
C105A,B		*	CK73GB1H123K	CHIP C 0.012UF	K
C106A,B		*	C90-2606-05	ELECTRO 0.47UF	50WV
C151		*	C90-5225-08	ELECTRO 0.1UF	50WV
C152,153		*	CK73GB1H103K	CHIP C 0.010UF	K
C154		*	C90-2949-08	ELECTRO 470UF	10WV
C155,156		*	CC73GCH1H150J	CHIP C 15PF	J
C157		*	CK73GB1H103K	CHIP C 0.010UF	K
C158		*	C90-2597-05	ELECTRO 10UF	16WV
C159		*	CC73GCH1H331J	CHIP C 330PF	J
C160		*	CK73GB1H102K	CHIP C 1000PF	K
C161		*	CC73GCH1H331J	CHIP C 330PF	J
C201A,B		*	CC73GCH1H471J	CHIP C 470PF	J
C203A,B		*	CC73GCH1H471J	CHIP C 470PF	J
C205A,B		*	CC73GCH1H100D	CHIP C 10PF	D
C206A,B		*	CC73GCH1H100D	CHIP C 10PF	D

K : DPX-MP4030 (North America)

M : DPX-3030 (Other Areas)

M2 : DPX-MP4030 (Other Areas)

△ Indicates safety critical components.

# DPX-3030/MP4030

## PARTS LIST

\* New parts

Parts without **Parts No.** are not supplied.

Les articles non mentionnés dans le **Parts No.** ne sont pas fournis.

Teile ohne **Parts No.** werden nicht geliefert.

### MAIN PWB UNIT

Ref. No.	A d d	N e w	Parts No.	Description	Desti- nation	Ref. No.	A d d	N e w	Parts No.	Description	Desti- nation
C207A,B			CK73GB1H103K	CHIP C 0.010UF K		C508			C90-2877-08	ELECTRO 1.0UF 50WV	
C208			CE04CW1C220M	ELECTRO 22UF 16WV		C509			C90-2550-05	ELECTRO 100UF 10WV	
C209A,B			CK73GB1H102K	CHIP C 1000PF K		C510			C90-2877-08	ELECTRO 1.0UF 50WV	
C210A,B			CE04CW1H0R1M	ELECTRO 0.1UF 50WV		C601			C90-5328-08	ELECTRO 3900UF 16WV	
C211			CE04CW1C220M	ELECTRO 22UF 16WV		C602,603			CK73GB1H104K	CHIP C 0.10UF K	
C212A,B			C90-2600-05	ELECTRO 2.2UF 35WV		C604			CE04CW1H3R3M	ELECTRO 3.3UF 50WV	
C213A,B			CK73GB1H104K	CHIP C 0.10UF K		C605			CK73GB1H683K	CHIP C 0.068UF K	
C214			CK73FB1C474K	CHIP C 0.47UF K		C606			CE04CW1H0R1M	ELECTRO 0.1UF 50WV	
C215			CK73GB1H472K	CHIP C 4700PF K		C611			CK73GB1H102K	CHIP C 1000PF K	
C216			CK73GB1H104K	CHIP C 0.10UF K		C612,613			CK73GB1H103K	CHIP C 0.010UF K	
C217			CK73FB1A225K	CHIP C 2.2UF K		C614			CK73FB1A105K	CHIP C 1.0UF K	
C251			CK73GB1H104K	CHIP C 0.10UF K		C615			C93-1151-08	CHIP C 0.022UF K	
C252-254			CK73GB1H473K	CHIP C 0.047UF K		C651			CE04CW1A101M	ELECTRO 100UF 10WV	
C255			CK73GB1H104K	CHIP C 0.10UF K		C652			CK73GB1H103K	CHIP C 0.010UF K	
C256			CK73GB1H473K	CHIP C 0.047UF K		C653			C90-2597-05	ELECTRO 10UF 16WV	
C301			CK73GB1H103K	CHIP C 0.010UF K		C654			CE04DW1C471M	ELECTRO 470UF 16WV	
C302			CE04CW1C470M	ELECTRO 47UF 16WV		C656			CE04CW1A101M	ELECTRO 100UF 10WV	
C309A,B			CK73GB1H104K	CHIP C 0.10UF K		C657			CK73GB1H104K	CHIP C 0.10UF K	
C311A,B			C90-2600-05	ELECTRO 2.2UF 35WV		C658			CE04CW1A101M	ELECTRO 100UF 10WV	
C312			CK73FB1A225K	CHIP C 2.2UF K		C659			CK73GB1H104K	CHIP C 0.10UF K	
C315A,B			C90-5226-08	ELECTRO 1UF 50WV		C660			CE04CW1C101M	ELECTRO 100UF 16WV	
C316A,B			C90-5226-08	ELECTRO 1UF 50WV		C661			CK73GB1H104K	CHIP C 0.10UF K	
C317A,B			C90-5226-08	ELECTRO 1UF 50WV		C662			C90-2597-05	ELECTRO 10UF 16WV	
C320			CK73GB1H102K	CHIP C 1000PF K		C663			CK73GB1H103K	CHIP C 0.010UF K	
C321,322			CK73GB1H683K	CHIP C 0.068UF K		DSP101			DSP-201M-S00B	SURGE ABSORBER	
C323			CK73GB1H472K	CHIP C 4700PF K		CN1			E40-9603-08	PIN ASS'Y 16PIN	
C324			CK73GB1H102K	CHIP C 1000PF K		CN2	*		E41-0388-08	FLAT CABLE CONNECTOR 22PIN	
C325			CK73GB1A224K	CHIP C 0.22UF K		CN201			E41-0050-08	FLAT CABLE CONNECTOR 5PIN	
C326			CE04CW1A221M	ELECTRO 220UF 10WV		CN251			E41-0051-08	FLAT CABLE CONNECTOR 11PIN	
C327			CK73GB1A154K	CHIP C 0.15UF K		CN301	*		E41-0387-08	FLAT CABLE CONNECTOR 8PIN	
C328			C90-2610-05	ELECTRO 2.2UF 50WV		CN401			E56-0834-05	DIN 13PIN	
C329			CK73GB1H472K	CHIP C 4700PF K		CN601			E03-0403-08	DC JACK 16PIN	
C330			CK73GB1A224K	CHIP C 0.22UF K		J101	*		E04-0323-08	RF COAXIAL CABLE RECEPTACLE	
C331			CK73GB1H104K	CHIP C 0.10UF K		L1			L33-1127-08	SMALL FIXED INDUCTOR	
C332			CE04CW1A101M	ELECTRO 100UF 10WV		L2-4	*		L92-0372-08	CHIP FERRITE	
C333,334			CK73GB1H104K	CHIP C 0.10UF K		L101			L33-1112-08	CHOKE COIL	
C351			CK73FF1A475Z	CHIP C 4.7UF Z		L102			L33-1123-05	LINE FILTER COIL	
C352			C90-2597-05	ELECTRO 10UF 16WV		L103			L33-1111-08	CHOKE COIL	
C353,354			CE04CW1A101M	ELECTRO 100UF 10WV		L104	*		L92-0372-08	CHIP FERRITE	
C355,356			CK73FF1A475Z	CHIP C 4.7UF Z		L151	*		L92-0372-08	CHIP FERRITE	
C357			CK73GB1H332K	CHIP C 3300PF K		L301			L33-1127-08	SMALL FIXED INDUCTOR	
C358,359			C90-2597-05	ELECTRO 10UF 16WV		L331			L40-4705-34	SMALL FIXED INDUCTOR	
C361,362			C90-2597-05	ELECTRO 10UF 16WV		L601	*		L33-1905-08	CHOKE COIL	
C381			CE04CW1C220M	ELECTRO 22UF 16WV		X1			L78-0592-08	RESONATOR 8.38MHz	
C382			CK73GB1H103K	CHIP C 0.010UF K		X2			L78-0533-05	RESONATOR 32.768KHz	
C383,384			CE04CW1A101M	ELECTRO 100UF 10WV		X151			L77-2762-08	CRYSTAL RESONATOR 7.2MHZ	
C401A,B			C90-2606-05	ELECTRO 0.47UF 50WV		R1			R92-1252-05	CHIP R 0 OHM J 1/16W	
C402A,B			CK73GB1H102K	CHIP C 1000PF K		R2,3			RK73GB1J102J	CHIP R 1.0K J 1/16W	
C403			CE04CW1C470M	ELECTRO 47UF 16WV		R4			RK73GB1J154J	CHIP R 150K J 1/16W	
C406,407			CK73FB1H104K	CHIP C 0.10UF K		R5,6			RK73GB1J473J	CHIP R 47K J 1/16W	
C501A,B			CK73FB1C474K	CHIP C 0.47UF K		R7-9			RK73GB1J102J	CHIP R 1.0K J 1/16W	
C502A,B			CK73FB1C474K	CHIP C 0.47UF K		R11			RK73GB1J473J	CHIP R 47K J 1/16W	
C503A,B			CK73FB1C474K	CHIP C 0.47UF K		R13-19			RK73GB1J473J	CHIP R 47K J 1/16W	
C504A,B			CK73FB1C474K	CHIP C 0.47UF K							
C505,506			CK73FB1A225K	CHIP C 2.2UF K							

**K** : DPX-MP4030 (North America)

**M** : DPX-3030 (Other Areas)

**M2** : DPX-MP4030 (Other Areas)

△ Indicates safety critical components.

## PARTS LIST

\* New parts

Parts without **Parts No.** are not supplied.

Les articles non mentionnes dans le **Parts No.** ne sont pas fournis.

Teile ohne **Parts No.** werden nicht geliefert.

### MAIN PWB UNIT

Ref. No.	A d d	N e w	Parts No.	Description	Desti- nation	Ref. No.	A d d	N e w	Parts No.	Description	Desti- nation
R21			RK73GB1J473J	CHIP R 47K J 1/16W		R251,252			RD14DB2H100J	SMALL-RD 10 J 1/2W	
R23			RK73GB1J102J	CHIP R 1.0K J 1/16W		R253			RD14BB2E101J	RD 100 J 1/4W	
R24			RK73GB1J101J	CHIP R 100 J 1/16W		R254,255			RK73GB1J473J	CHIP R 47K J 1/16W	
R25			RK73GB1J472J	CHIP R 4.7K J 1/16W		R256			RK73GB1J121J	CHIP R 120 J 1/16W	
R26			RK73GB1J473J	CHIP R 47K J 1/16W		R304A,B			RK73GB1J394J	CHIP R 390K J 1/16W	
R27			RK73GB1J104J	CHIP R 100K J 1/16W		R305			RK73GB1J102J	CHIP R 1.0K J 1/16W	
R28			RK73GB1J102J	CHIP R 1.0K J 1/16W		R331			R90-0724-05	MULTI-COMP 1K X4	
R30			RK73GB1J102J	CHIP R 1.0K J 1/16W		R332			RK73GB1J223J	CHIP R 22K J 1/16W	
R31			RK73GB1J473J	CHIP R 47K J 1/16W		R351			RK73GB1J392J	CHIP R 3.9K J 1/16W	
R32			RK73GB1J223J	CHIP R 22K J 1/16W		R352			RK73GB1J822J	CHIP R 8.2K J 1/16W	
R33			RK73GB1J102J	CHIP R 1.0K J 1/16W		R353			RK73GB1J103J	CHIP R 10K J 1/16W	
R34			RK73GB1J104J	CHIP R 100K J 1/16W		R354			RK73GB1J104J	CHIP R 100K J 1/16W	
R35			RK73GB1J471J	CHIP R 470 J 1/16W		R355			RK73GB1J102J	CHIP R 1.0K J 1/16W	
R36			RK73GB1J473J	CHIP R 47K J 1/16W		R356			RK73GB1J242J	CHIP R 2.4K J 1/16W	
R37-39			RK73GB1J472J	CHIP R 4.7K J 1/16W		R357			RK73GB1J333J	CHIP R 33K J 1/16W	
R41,42			RK73GB1J472J	CHIP R 4.7K J 1/16W		R358			RK73GB1J471J	CHIP R 470 J 1/16W	
R45			RK73GB1J471J	CHIP R 470 J 1/16W		R359			RK73GB1J105J	CHIP R 1.0M J 1/16W	
R46			RK73GB1J473J	CHIP R 47K J 1/16W		R360			RK73GB1J473J	CHIP R 47K J 1/16W	
R47			RK73GB1J471J	CHIP R 470 J 1/16W		R361			RK73GB1J100J	CHIP R 10 J 1/16W	
R48			RK73GB1J473J	CHIP R 47K J 1/16W		R362,363			RK73GB1J274J	CHIP R 270K J 1/16W	
R52,53			RK73GB1J102J	CHIP R 1.0K J 1/16W		R364			RK73GB1J124J	CHIP R 120K J 1/16W	
R54			R92-1252-05	CHIP R 0 OHM J 1/16W		R365			RK73GB1J473J	CHIP R 47K J 1/16W	
R55,56			RK73GB1J102J	CHIP R 1.0K J 1/16W		R366			RK73GB1J392J	CHIP R 3.9K J 1/16W	
R71			RK73GB1J104J	CHIP R 100K J 1/16W		R367			RK73GB1J103J	CHIP R 10K J 1/16W	
R72			RK73GB1J222J	CHIP R 2.2K J 1/16W		R368			RK73GB1J223J	CHIP R 22K J 1/16W	
R73			RK73GB1J473J	CHIP R 47K J 1/16W		R381-383			RK73GB1J473J	CHIP R 47K J 1/16W	
R74			RK73GB1J471J	CHIP R 470 J 1/16W		R384			RK73GB1J100J	CHIP R 10 J 1/16W	
R75			RK73GB1J473J	CHIP R 47K J 1/16W		R385-387			RK73GB1J473J	CHIP R 47K J 1/16W	
R76			RK73GB1J471J	CHIP R 470 J 1/16W		R401A,B			RK73FB2A101J	CHIP R 100 J 1/10W	
R77			RK73GB1J473J	CHIP R 47K J 1/16W		R402,403			RK73FB2A470J	CHIP R 47 J 1/10W	
R78			RK73GB1J471J	CHIP R 470 J 1/16W		R404			RK73FB2A222J	CHIP R 2.2K J 1/10W	
R102,103			RK73GB1J101J	CHIP R 100 J 1/16W		R405			RK73FB2A102J	CHIP R 1.0K J 1/10W	
R104			RK73GB1J104J	CHIP R 100K J 1/16W		R406			RK73FB2A222J	CHIP R 2.2K J 1/10W	
R151			RK73GB1J183J	CHIP R 18K J 1/16W		R407,408			RK73FB2A472J	CHIP R 4.7K J 1/10W	
R152			RK73GB1J332J	CHIP R 3.3K J 1/16W		R409			RK73FB2A470J	CHIP R 47 J 1/10W	
R153			RK73GB1J181J	CHIP R 180 J 1/16W		R501A,B			RK73GB1J472J	CHIP R 4.7K J 1/16W	
R154			RK73GB1J222J	CHIP R 2.2K J 1/16W		R502A,B			RK73GB1J472J	CHIP R 4.7K J 1/16W	
R156			RK73GB1J473J	CHIP R 47K J 1/16W		R505			RK73GB1J751J	CHIP R 750 J 1/16W	
R157			RK73GB1J222J	CHIP R 2.2K J 1/16W		R506			RK73GB1J431J	CHIP R 430 J 1/16W	
R158			RK73GB1J473J	CHIP R 47K J 1/16W		R507			RK73GB1J333J	CHIP R 33K J 1/16W	
R159			RK73GB1J102J	CHIP R 1.0K J 1/16W		R508			RK73GB1J102J	CHIP R 1.0K J 1/16W	
R160			RK73GB1J222J	CHIP R 2.2K J 1/16W		R509			RK73GB1J101J	CHIP R 100 J 1/16W	
R201A,B			RK73GB1J104J	CHIP R 100K J 1/16W		R510			RK73GB1J223J	CHIP R 22K J 1/16W	
R202A,B			RK73GB1J101J	CHIP R 100 J 1/16W		R511			RK73GB1J562J	CHIP R 5.6K J 1/16W	
R203A,B			RK73GB1J104J	CHIP R 100K J 1/16W		R601			RK73GB1J223J	CHIP R 22K J 1/16W	
R204A,B			RK73GB1J101J	CHIP R 100 J 1/16W		R602,603			R90-1044-08	FL-PROOF RS 1.2K J 1/2W	
R205A,B			RK73GB1J181J	CHIP R 180 J 1/16W		R604			RK73GB1J472J	CHIP R 4.7K J 1/16W	
R206A,B			RK73GB1J101J	CHIP R 100 J 1/16W		R605			RK73GB1J223J	CHIP R 22K J 1/16W	
R207			RK73GB1J223J	CHIP R 22K J 1/16W		R606			RK73GB1J472J	CHIP R 4.7K J 1/16W	
R208			RK73GB1J100J	CHIP R 10 J 1/16W		R607,608			RD14DB2H102J	SMALL-RD 1.0K J 1/2W	
R209			RK73GB1J392J	CHIP R 3.9K J 1/16W		R611			RK73GB1J104J	CHIP R 100K J 1/16W	
R210			RK73GB1J513J	CHIP R 51K J 1/16W		R612			RK73GB1J103J	CHIP R 10K J 1/16W	
R211			RK73GB1J224J	CHIP R 220K J 1/16W		R613			RK73GB1J243J	CHIP R 24K J 1/16W	
R212			RK73GB1J223J	CHIP R 22K J 1/16W		R614			RK73GB1J103J	CHIP R 10K J 1/16W	
R213			R92-1252-05	CHIP R 0 OHM J 1/16W		R615			RK73GB1J104J	CHIP R 100K J 1/16W	

K : DPX-MP4030 (North America)

M : DPX-3030 (Other Areas)

M2 : DPX-MP4030 (Other Areas)

△ Indicates safety critical components.

## PARTS LIST

\* New parts

Parts without **Parts No.** are not supplied.

Les articles non mentionnes dans le **Parts No.** ne sont pas fournis.

Teile ohne **Parts No.** werden nicht geliefert.

### MAIN PWB UNIT

Ref. No.	Add	New	Parts No.	Description	Destination	Ref. No.	Add	New	Parts No.	Description	Destination
R616			RK73EB2B333J	CHIP R 33K J 1/8W		IC1		*	MN101C49KWB	MI-COM IC	
R617			RK73GB1J103J	CHIP R 10K J 1/16W		IC2		*	PST3438UL	ANALOGUE IC	
R618			RD14DB2H332J	SMALL-RD 3.3K J 1/2W		IC3			HD74HC27FP	MOS-IC	
R619			RK73GB1J104J	CHIP R 100K J 1/16W		IC4			BR24C01AF	MEMORY IC	
R620			RK73EB2B103J	CHIP R 10K J 1/8W		IC151			LC72135M	MOS-IC	
R651			RD14BB2E4R7J	RD 4.7 J 1/4W		IC201			CXA2560Q	ANALOGUE IC	
R652			RK73GB1J223J	CHIP R 22K J 1/16W		IC251			BA6219BFP-Y	ANALOGUE IC	
R653			RK73GB1J152J	CHIP R 1.5K J 1/16W		IC301			TDA7407	ANALOGUE IC	
R655			RK73GB1J222J	CHIP R 2.2K J 1/16W		IC331			M65849BFP	MOS-IC	
R656,657			RK73GB1J102J	CHIP R 1.0K J 1/16W		IC351			NJM4565MD	IC (OP AMP X2)	
R658			RK73GB1J103J	CHIP R 10K J 1/16W		IC352			BA3830F	ANALOGUE IC	
R659			RK73GB1J471J	CHIP R 470 J 1/16W		IC381			BA3131FS	ANALOGUE IC	
R660			RD14DB2H102J	SMALL-RD 1.0K J 1/2W		IC501			TDA7386	ANALOGUE IC	
R661			RK73GB1J103J	CHIP R 10K J 1/16W		Q1			DTA124EUA	TRANSISTOR	
R663			R92-1252-05	CHIP R 0 OHM J 1/16W		Q2			DTA144EUA	TRANSISTOR	
R664			RK73GB1J274J	CHIP R 270K J 1/16W		Q3			DTA124EUA	TRANSISTOR	
RN1,2			R90-0724-05	MULTI-COMP 1K X4		Q101			DTC124EUA	TRANSISTOR	
RN3			R90-1071-08	MULTI-COMP 47 X2		Q102			DTA123JK	TRANSISTOR	
RN4			R90-0724-05	MULTI-COMP 1K X4		Q151			2SK536	FET	
RN5			R90-1020-05	MULTI-COMP 22K X2		Q301			DTC144EUA	TRANSISTOR	
RN7,8			R90-0725-05	MULTI-COMP 1K X2		Q351			DTC343TK	TRANSISTOR	
RN14			R90-1042-08	MULTI-COMP 4.7K X4		Q352			2SC4081	TRANSISTOR	
RN15			R90-0724-05	MULTI-COMP 1K X4		Q502			DTC114YUA	TRANSISTOR	
RN16			R90-1043-08	MULTI-COMP 4.7K X2		Q601			2SA1703-AN	TRANSISTOR	
RN17,18			R90-0724-05	MULTI-COMP 1K X4		Q602			DTC114YUA	TRANSISTOR	
RN20-22			R90-0724-05	MULTI-COMP 1K X4		Q603			2SA1703-AN	TRANSISTOR	
RN23			R90-0725-05	MULTI-COMP 1K X2		Q604			2SA1576A	TRANSISTOR	
RN24			R90-1071-08	MULTI-COMP 47 X2		Q605			DTA124EUA	TRANSISTOR	
RN25			R90-0724-05	MULTI-COMP 1K X4		Q606			DTC114EUA	TRANSISTOR	
RN301			R90-1014-05	MULTI-COMP 100 X4		Q611,612			2SC4081	TRANSISTOR	
RN331			RK73GB1J100J	CHIP R 10 J 1/16W		Q613			DTC144EUA	TRANSISTOR	
RN401			R90-0720-05	MULTI-COMP 100K X4		Q650			2SA1703-AN	TRANSISTOR	
VR201A,B			R32-0242-08	SEMI FIXED VARIABLE RESISTOR		Q651			2SC4081	TRANSISTOR	
W1,2			R92-2053-05	CHIP R 0 J 1/8W		Q652			2SB1565(E,F)	TRANSISTOR	
W3			R92-1252-05	CHIP R 0 OHM J 1/16W		Q653			2SC4081	TRANSISTOR	
W5,6			R92-1252-05	CHIP R 0 OHM J 1/16W		Q654		*	IMD3AL	TRANSISTOR	
TH501			TH470	POSITIVE RESISTOR		Q655			2SD1760	TRANSISTOR	
D251			RD3.9E(B1)	ZENER DIODE		Q656			2SB1565(E,F)	TRANSISTOR	
D252			11ES2C	DIODE		Q657			2SC4081	TRANSISTOR	
D351			DA204U	DIODE		Q658			DTA123JK	TRANSISTOR	
D401A,B			HZM6.2ZWA	DIODE		Q659			2SC4081	TRANSISTOR	
D402-406			HZM6.2ZWA	DIODE		Q660			2SB1184	TRANSISTOR	
D502			DAP202U	DIODE		Q663			2SA1703-AN	TRANSISTOR	
D503			1SS400	DIODE		Q664			DTC114YUA	TRANSISTOR	
D601			RM10Z	DIODE		Q665		*	IMD2A	TRANSISTOR	
D602,603			1SR154-400	DIODE		TU101		*	W02-3384-08	FM/AM FRONT-END	
D605,606			1SR154-400	DIODE		<b>SUB PWB UNIT</b>					
D607			1SS400	DIODE		C800			CK73GB1H473K	CHIP C 0.047UF K	
D611,612			HZS7L6C	ZENER DIODE		C801			CE04CW1C470M	ELECTRO 47UF 16WV	
D651		*	SB040	DIODE		C802			CK73GB1H473K	CHIP C 0.047UF K	
D652,653			HZS6B1L	ZENER DIODE		C803			CE04CW1A101M	ELECTRO 100UF 10WV	
D654			MA4091(N)-L	ZENER DIODE		C807			CE04CW1C470M	ELECTRO 47UF 16WV	
D655			HZS12A1L	ZENER DIODE		C808			CK73GB1H473K	CHIP C 0.047UF K	
D656			MA4220-L	ZENER DIODE		C809			CE04CW1A101M	ELECTRO 100UF 10WV	

K : DPX-MP4030 (North America)

M : DPX-3030 (Other Areas)

M2 : DPX-MP4030 (Other Areas)

△ Indicates safety critical components.

## PARTS LIST

\* New parts

Parts without **Parts No.** are not supplied.

Les articles non mentionnes dans le **Parts No.** ne sont pas fournis.

Teile ohne **Parts No.** werden nicht geliefert.

### SUB PWB UNIT

Ref. No.	Add	New	Parts No.	Description	Destination
C810			CK73GB1H473K	CHIP C 0.047UF K	
C811			CK73GB1H102K	CHIP C 1000PF K	
C812			CK73GB1H473K	CHIP C 0.047UF K	
C813A,B			C90-2610-05	ELECTRO 2.2UF 50WV	
C814			CE04NW1C101M	ELECTRO 100UF 16WV	
C850			CE04CW1A101M	ELECTRO 100UF 10WV	
C851			CK73GB1H473K	CHIP C 0.047UF K	
C853A,B			C90-2597-05	ELECTRO 10UF 16WV	
C854A,B			CK73FB1H222K	CHIP C 2200PF K	
C856A,B			C90-2597-05	ELECTRO 10UF 16WV	
C857A,B			CK73FB1H222K	CHIP C 2200PF K	
C890,891			CK73FB1C104K	CHIP C 0.10UF K	
CN800			E40-9605-08	PIN ASS'Y 24PIN	
CN801			E40-9608-08	PIN ASS'Y 22PIN	
CN850		*	E41-0389-08	FLAT CABLE CONNECTOR 8PIN	
CN851			E40-3300-05	PIN ASS'Y 3PIN	
CN852			E40-9614-08	PIN ASS'Y 3PIN	
ET800		*	E23-0736-08	TERMINAL 3PIN	
ET850		*	E23-0736-08	TERMINAL 3PIN	
R800			RK73GB1J152J	CHIP R 1.5K J 1/16W	
R802			RK73GB1J222J	CHIP R 2.2K J 1/16W	
R850			RK73GB1J100J	CHIP R 10 J 1/16W	
R853			RK73GB1J104J	CHIP R 100K J 1/16W	
R854A,B			RK73GB1J682J	CHIP R 6.8K J 1/16W	
R860A,B			RK73GB1J471J	CHIP R 470 J 1/16W	
R861A,B			RK73GB1J223J	CHIP R 22K J 1/16W	
R862A,B			RK73FB2A101J	CHIP R 100 J 1/10W	
R863A,B			RK73GB1J682J	CHIP R 6.8K J 1/16W	
R866A,B			RK73GB1J471J	CHIP R 470 J 1/16W	
R867A,B			RK73GB1J223J	CHIP R 22K J 1/16W	
R868A,B			RK73FB2A101J	CHIP R 100 J 1/10W	
D800			HZS9A1L	ZENER DIODE	
D801			11ES2C	DIODE	
D802			HZS6B1L	ZENER DIODE	
D852			DAN202U	DIODE	
D890A,B			HZM6.2ZWA	DIODE	
D891,893			HZM6.2ZWA	DIODE	
D892A,B			HZM6.2ZWA	DIODE	
IC850			BA3129F	IC (SWITCH)	
Q800			2SB1565(E,F)	TRANSISTOR	
Q801			2SB1184	TRANSISTOR	
Q802			2SC4081	TRANSISTOR	
Q803			2SB1565(E,F)	TRANSISTOR	
Q804			2SC4081	TRANSISTOR	
Q852			DTC124EUA	TRANSISTOR	
Q853A,B			DTC343TK	TRANSISTOR	
Q854A,B			DTC343TK	TRANSISTOR	
<b>CONTROL PWB UNIT</b>					
LCD900		*	B38-1109-08	LIQUID CRYSTAL	
C900			C90-5327-08	CHIP-TAN 10UF 16WV	
C901,902			CK73GB1H103K	CHIP C 0.010UFK	
C903			CC73GCH1H681J	CHIP C 680PF J	
C904-906			CK73FB1H104K	CHIP C 0.10UF K	
C907			C90-5327-08	CHIP-TAN 10UF 16WV	

Ref. No.	Add	New	Parts No.	Description	Destination
C908			CK73GB1H104K	CHIP C 0.10UF K	
C915-917			CK73GB1H103K	CHIP C 0.010UFK	
CN900			E40-9612-08	PIN ASS'Y 16PIN	
R900			RK73GB1J101J	CHIP R 100 J 1/16W	
R901			RK73GB1J100J	CHIP R 10 J 1/16W	
R902			RK73GB1J331J	CHIP R 330 J 1/16W	
R903			RK73GB1J102J	CHIP R 1.0K J 1/16W	
R904			RK73GB1J473J	CHIP R 47K J 1/16W	
R905			RK73GB1J433J	CHIP R 43K J 1/16W	
R906-909			RK73GB1J472J	CHIP R 4.7K J 1/16W	
R910-914			RK73GB1J102J	CHIP R 1.0K J 1/16W	
R915-917			RK73GB1J472J	CHIP R 4.7K J 1/16W	
R918,919			RK73EB2B431J	CHIP R 430 J 1/8W	
R920,921			RK73EB2B561J	CHIP R 560 J 1/8W	
R922,923			RK73EB2B431J	CHIP R 430 J 1/8W	
R924,925			RK73EB2B561J	CHIP R 560 J 1/8W	
R926-931			RK73FB2A391J	CHIP R 390 J 1/10W	
R932,933			RK73EB2B561J	CHIP R 560 J 1/8W	
R935			RK73EB2B561J	CHIP R 560 J 1/8W	
RN900,901			R90-0724-05	MULTI-COMP 1K X4	
W901			R92-2053-05	CHIP R 0 J 1/8W	
D902,903			DAN202U	DIODE	
D904-923			B30-1561-05	LED	
D924,925			B30-2025-05	LED	
D926,927			B30-1435-05	LED	
D931			UDZ7.5B	ZENER DIODE	
D951,952			B30-1599-05	LED	
IC900			LC75808W	MOS-IC	
IC901			RS-171	ANALOGUE IC	
Q900			DTA124EUA	TRANSISTOR	
Q902			DTA124EUA	TRANSISTOR	
Q903-905			2SC4081	TRANSISTOR	
<b>CASSETTE MECHANISM ASSY (D40-1179-08)</b>					
1		2B	A10-4630-08	CHASSIS ASSY	
4		3B	D10-4375-08	SLIDER (MAIN PLATE)	
5		3A	D13-1494-08	GEAR (B)	
6		3A	D13-1495-08	GEAR (C)	
7		3A	D13-1496-08	GEAR (D)	
9		1B	D10-4376-08	GUID	
10		2B	J90-0948-08	PULLEY (MID)	
11		2B	D15-0919-08	GEAR (P)	
12		2B	D13-1497-08	GEAR (P)	
15		2B	J21-9458-08	MOUNTING HARDWARE (HEAD P-AS)	
20		2A	D13-1498-08	RACK GEAR (OP PLATE A)	
21		1A	D10-4377-08	LEVER (EJ-LEV-A)	
22		3B	D10-4378-08	LEVER (SB.PL-AS)	
23		2A	D10-4379-08	LEVER (OP-PL-HO)	
24		1A	D10-4380-08	LEVER (EJE-LEV-A)	
25		1A	G01-2960-08	TENSION COIL SPRING (E LEV)	
26		3A	D13-1499-08	GEAR (FR)	
27		3A	D10-4381-08	ARM (FR-PLATE)	
30		2B	D10-4382-08	ARM ASSY (PINCH ROLLER F)	
31		2B	D10-4383-08	ARM ASSY (PINCH ROLLER R)	

K : DPX-MP4030 (North America)

M : DPX-3030 (Other Areas)

M2 : DPX-MP4030 (Other Areas)

△ Indicates safety critical components.

# DPX-3030/MP4030

## PARTS LIST

\* New parts

Parts without **Parts No.** are not supplied.

Les articles non mentionnes dans le **Parts No.** ne sont pas fournis.

Teile ohne **Parts No.** werden nicht geliefert.

### CASSETTE MECHANISM ASSY (D40-1179-08)

Ref. No.	A d d	N e w	Parts No.	Description	Desti- nation	Ref. No.	A d d	N e w	Parts No.	Description	Desti- nation
45	2A		J11-0632-08	CLAMPER							
48	3B		D01-0613-08	FLYWHEEL ASSY							
49	3B		D16-0616-08	BELT							
52	1B		D10-4385-08	ARM (CASSETTE LIFTER B)							
53	1B		J19-4953-08	CASSETTE HOLDER							
54	1A		G11-1861-08	CUSHION							
56	1B		D10-4386-08	ARM ASSY							
57	1B		G01-2962-08	TENSION COIL SPRING							
58	1B		D10-4387-08	SLIDER							
65	2A		B09-0522-08	REEL CAP							
66	2A		G01-2963-08	COMPRESSION SPRING							
67	2A		D03-0314-08	REEL GEAR ASSY							
90	3A		J26-4042-08								
94	3A		T95-0245-08								
CFC1	3A		E39-0424-08	FLAT CABLE							
CM1	1A		T42-1002-08	MOTOR ASSY (MAIN)							
CM2	1A		T42-1001-08	MOTOR ASSY (SUB A)							
HD1	2B		T31-0230-08	PLAYBACK HEAD							
A	3A		N09-4324-08	SCREW (2X2.5)							
B	2A		N19-2136-08	FLAT WASHER (1.55X35)							
C	2B		N09-4325-08	SCREW (2X13ADS)							
D	2A		N09-4326-08	SCREW (2X3)							
E	2A		N09-4058-08	SEMS (2X3AMS)							
F	2B		N19-2038-08	FLAT WASHER (0.85X2.8)							
G	2B		N19-2136-08	FLAT WASHER (1.55X3)							
H	2B		N19-2137-08	FLAT WASHER (2.1X3.5)							
J	3B		N19-2138-08	FLAT WASHER (2.1X3.5)							
K	3B		N09-4327-08	SCREW							
M	3B		N09-4329-08	SCREW (3X3.5)							
N	1B		N19-2139-08	FLAT WASHER (2.1X4.0)							

K : DPX-MP4030 (North America)

M : DPX-3030 (Other Areas)

M2 : DPX-MP4030 (Other Areas)

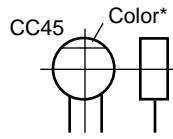
△ Indicates safety critical components.

## PARTS LIST

### CAPACITORS

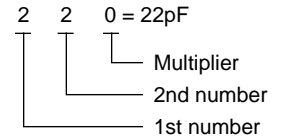
CC 45 TH 1H 220 J  
 1 2 3 4 5 6

- 1 = Type ... ceramic, electrolytic, etc.
- 2 = Shape ... round, square, ect.
- 3 = Temp. coefficient
- 4 = Voltage rating
- 5 = Value
- 6 = Tolerance



#### • Capacitor value

- 010 = 1pF
- 100 = 10pF
- 101 = 100pF
- 102 = 1000pF = 0.001μF
- 103 = 0.01μF



#### • Temperature coefficient

1st Word	C	L	P	R	S	T	U
Color*	Black	Red	Orange	Yellow	Green	Blue	Violet
ppm/°C	0	-80	-150	-220	-330	-470	-750

2nd Word	G	H	J	K	L
ppm/°C	±30	±60	±120	±250	±500

Example : CC45TH = -470 ± 60ppm/°C

#### • Tolerance (More than 10pF)

Code	C	D	G	J	K	M	X	Z	P	No code
(%)	±0.25	±0.5	±2	±5	±10	±20	+40 -20	+80 -20	+100 -0	More than 10μF - 10 ~ +50 Less than 4.7μF -10 ~ +75

#### (Less than 10pF)

Code	B	C	D	F	G
(pF)	±0.1	±0.25	±0.5	±1	±2

#### • Voltage rating

2nd word	A	B	C	D	E	F	G	H	J	K	V	
1st word	0	1.0	1.25	1.6	2.0	2.5	3.15	4.0	5.0	6.3	8.0	-
1	10	12.5	16	20	25	31.5	40	50	63	80	35	-
2	100	125	160	200	250	315	400	500	630	800	-	-
3	1000	1250	1600	2000	2500	3150	4000	5000	6300	8000	-	-

#### • Chip capacitors

(EX) C C 7 3 F S L 1 H 0 0 0 J  
 1 2 3 4 5 6 7

(Chip) (CH, RH, UJ, SL)

(EX) C K 7 3 F F 1 H 0 0 0 Z  
 1 2 3 4 5 6 7

(Chip) (B, F)

Refer to the table above.

- 1 = Type
- 2 = Shape
- 3 = Dimension
- 4 = Temp. coefficient
- 5 = Voltage rating
- 6 = Value
- 7 = Tolerance

#### Dimension (Chip capacitors)

Dimension code	L	W	T
Empty	5.6 ± 0.5	5.0 ± 0.5	Less than 2.0
A	4.5 ± 0.5	3.2 ± 0.4	Less than 2.0
B	4.5 ± 0.5	2.0 ± 0.3	Less than 2.0
C	4.5 ± 0.5	1.25 ± 0.2	Less than 1.25
D	3.2 ± 0.4	2.5 ± 0.3	Less than 1.5
E	3.2 ± 0.2	1.6 ± 0.2	Less than 1.25
F	2.0 ± 0.3	1.25 ± 0.2	Less than 1.25
G	1.6 ± 0.2	0.8 ± 0.2	Less than 1.0
H	1.0 ± 0.05	0.5 ± 0.05	0.5 ± 0.05

### RESISTORS

#### • Chip resistor (Carbon)

(EX) R D 7 3 E B 2 B 0 0 0 J  
 1 2 3 4 5 6 7

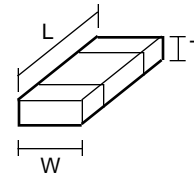
(Chip) (B,F)

#### • Carbon resistor (Normal type)

(EX) R D 1 4 B B 2 C 0 0 0 J  
 1 2 3 4 5 6 7

- 1 = Type ... ceramic, electrolytic, etc.
- 2 = Shape ... round, square, ect.
- 3 = Dimension
- 4 = Temp. coefficient
- 5 = Voltage rating
- 6 = Value
- 7 = Tolerance

#### Dimension



#### Dimension (Chip resistor)

Dimension code	L	W	T
E	3.2 ± 0.2	1.6 ± 0.2	1.0
F	2.0 ± 0.3	1.25 ± 0.2	1.0
G	1.6 ± 0.2	0.8 ± 0.2	0.5 ± 0.1
H	1.0 ± 0.05	0.5 ± 0.05	0.35 ± 0.05

#### Rating wattage

Code	Wattage	Code	Wattage	Code	Wattage
1J	1/16W	2C	1/6W	3A	1W
2A	1/10W	2E	1/4W	3D	2W
2B	1/8W	2H	1/2W		



# DPX-3030/MP4030

## SPECIFICATIONS

	DPX-3030 (M type)	DPX-MP4030 (K type)	DPX-MP4030 (M type)
<b>FM tuner section</b>			
Frequency range (Frequency step)	87.5MHz~108.0MHz (50kHz) 87.9MHz~107.9MHz (200kHz)	87.9MHz~107.9MHz (200kHz)	87.5MHz~108.0MHz (50kHz) 87.9MHz~107.9MHz (200kHz)
Channel space selection	50k/200kHz	-	50k/200kHz
Usable sensitivity (S/N=30dB)	9.3dBf (0.8μV/75Ω)	9.3dBf (0.8μV/75Ω)	9.3dBf (0.8μV/75Ω)
Quieting sensitivity (S/N=50dB)	15.2dBf (1.6μV/75Ω)	15.2dBf (1.6μV/75Ω)	15.2dBf (1.6μV/75Ω)
Frequency response (±3.0dB)	30Hz~15kHz	30Hz~15kHz	30Hz~15kHz
S/N (MONO)	70dB	70dB	70dB
Selectivity	≥80dB (±400kHz)	≥80dB (±400kHz)	≥80dB (±400kHz)
Stereo separation (1kHz)	40dB	40dB	40dB
<b>AM tuner section</b>			
Frequency range (Frequency step)	531kHz~1611Hz (9kHz) 530kHz~1700kHz (10kHz)	530kHz~1700kHz (10kHz)	531kHz~1611Hz (9kHz) 530kHz~1700kHz (10kHz)
Channel space selection	9k/10kHz	-	9k/10kHz
Usable sensitivity (S/N=20dB)	28dBμ (25μV)	28dBμ (25μV)	28dBμ (25μV)
<b>CASSETTE section</b>			
Tape speed	4.76cm/sec.	4.76cm/sec.	4.76cm/sec.
Wow & Flutter	0.08% (WRMS)	0.08% (WRMS)	0.08% (WRMS)
Frequency response (70us)	25Hz~22kHz (±3dB)	25Hz~22kHz (±3dB)	25Hz~22kHz (±3dB)
S/N (1kHz)	60dB (Dolby BNR off) 68dB (Dolby BNR on)	60dB (Dolby BNR off) 68dB (Dolby BNR on)	60dB (Dolby BNR off) 68dB (Dolby BNR on)
Stereo separation	40dB (1kHz)	40dB (1kHz)	40dB (1kHz)
<b>CD section</b>			
Laser diode	GaAlAs (λ=780nm)	GaAlAs (λ=780nm)	GaAlAs (λ=780nm)
Digital filter (D/A)	8 Times Over Sampling	8 Times Over Sampling	8 Times Over Sampling
D/A converter	1 Bit	1 Bit	1 Bit
Spindle speed	500rpm~200rpm (CLV)	1000rpm~400rpm (CLV / 2times)	1000rpm~400rpm (CLV / 2times)
Wow & Flutter	Below measurable limit	Below measurable limit	Below measurable limit
Frequency response	10Hz~20kHz (±1dB)	10Hz~20kHz (±1dB)	10Hz~20kHz (±1dB)
T.H.D.	0.01% (1kHz)	0.01% (1kHz)	0.01% (1kHz)
S/N (1kHz)	93dB	93dB	93dB
Dynamic range	93dB	93dB	93dB
Channel separation	85dB	85dB	85dB
MP3 decode	-	Compliant with MPEG-1.0/2.0/2.5 Audio Layer3	Compliant with MPEG-1.0/2.0/2.5 Audio Layer3
<b>Audio section</b>			
Preout level/Load	1500mV/10kΩ (CD-CH)	1500mV/10kΩ (CD-CH)	1500mV/10kΩ (CD-CH)
Preout impedance	≤600Ω	≤600Ω	≤600Ω
Maximum power	45Wx4	45Wx4	45Wx4
Rated power	22Wx4 (at less than 1%THD)	22Wx4 (at less than 1%THD)	22Wx4 (at less than 1%THD)
<b>General</b>			
Operating voltage	14.4V (11V~16V allowable)	14.4V (11V~16V allowable)	14.4V (11V~16V allowable)
Current consumption	10A	10A	10A
Installation size (WxHxD)	178x100x155 (mm) 7 x 3-15/16 x 6-1/8 (inch)	178x100x155 (mm) 7 x 3-15/16 x 6-1/8 (inch)	178x100x155 (mm) 7 x 3-15/16 x 6-1/8 (inch)
Weight	3.2kg (7.05lbs)	3.2kg (7.05lbs)	3.2kg (7.05lbs)

KENWOOD follows a policy of continuous advancements in development. For this reason specifications may be changed without notice.

US and foreign patents licensed from Dolby Laboratories Licensing Corporation.

## KENWOOD CORPORATION

14-6, Dogenzaka 1-chome, Shibuya-ku, Tokyo 150-8501 Japan

### KENWOOD SERVICE CORPORATION

P.O. BOX 22745, 2201 East Dominguez Street, Long Beach, CA90801-5745, U.S.A.

### KENWOOD ELECTRONICS CANADA INC.

6070 Kestrel Road, Mississauga, Ontario, Canada L5T 1S8

### KENWOOD ELECTRONICS LATIN AMERICA S.A.

P.O. Box 55-2791 Paitilla, Plaza Credicorp Bank Panama, Piso 9, Oficina 901, Calle 50, Panama, Rep. de Panama

### KENWOOD ELECTRONICS BRASIL LTDA.

Alameda Ministro Rocha Azevedo No. 456, Edifício Jaú, 10o Andar, Cerqueira César, Cep 0140-001, São Paulo-SP-Brasil

### KENWOOD ELECTRONICS UK LIMITED

Kenwood House, Dwight Road, Watford, Herts, WD1 8EB, United Kingdom

### KENWOOD ELECTRONICS DEUTSCHLAND GMBH

Rembrücker-Str. 15, 63150 Heusenstamm, Germany

### KENWOOD ELECTRONICS FRANCE S.A.

13, Boulevard Ney, 75018 Paris, France

### KENWOOD ELECTRONICS BELGIUM N.V.

Leuvensesteenweg 248 J, 1800 Vilvoorde, Belgium

### KENWOOD ELECTRONICS ITALIA S.p.A.

Via G. Sirtori 7/9, 20129 Milano, Italy

### KENWOOD IBÉRICA S.A.

Bolivia, 239-08020 Barcelona, Spain

### KENWOOD ELECTRONICS AUSTRALIA PTY. LTD. (A.C.N. 001 499 074)

16 Giffnock Avenue, Centrecourt Estate, North Ryde, N.S.W. 2113, Australia

### KENWOOD ELECTRONICS (HONG KONG) LTD.

Unit 3712-3724, Level 37, Tower 1, Metroplaza, 223 Hing Fong Road, Kwai Fong, N.T., Hong Kong

### KENWOOD ELECTRONICS GULF FZE

P.O. Box 61318, Jebel Ali, Dubai, U.A.E.

### KENWOOD ELECTRONICS (THAILAND) CO., LTD.

2019 New Pechaburi Road, Bangkok, Huaykwang, Bangkok, 10320 Thailand

### KENWOOD ELECTRONICS SINGAPORE PTE. LTD.

1 Genting Lane, #07-00, Kenwood Building, Singapore, 349544

### KENWOOD ELECTRONICS (MALAYSIA) SDN BHD

#4.01 Level 4, Wisma Academy Lot 4A, Jalan 19/1, 46300 Petaling Jaya, Selangor Darul Ehsan, Malaysia