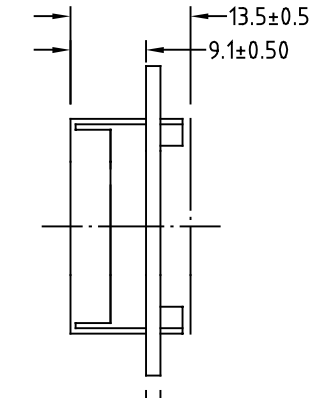
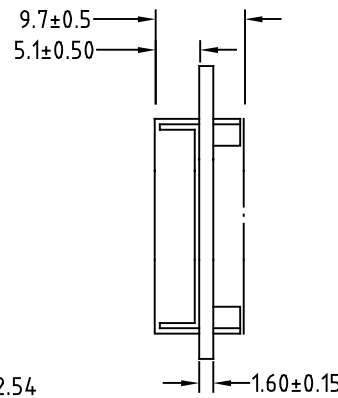
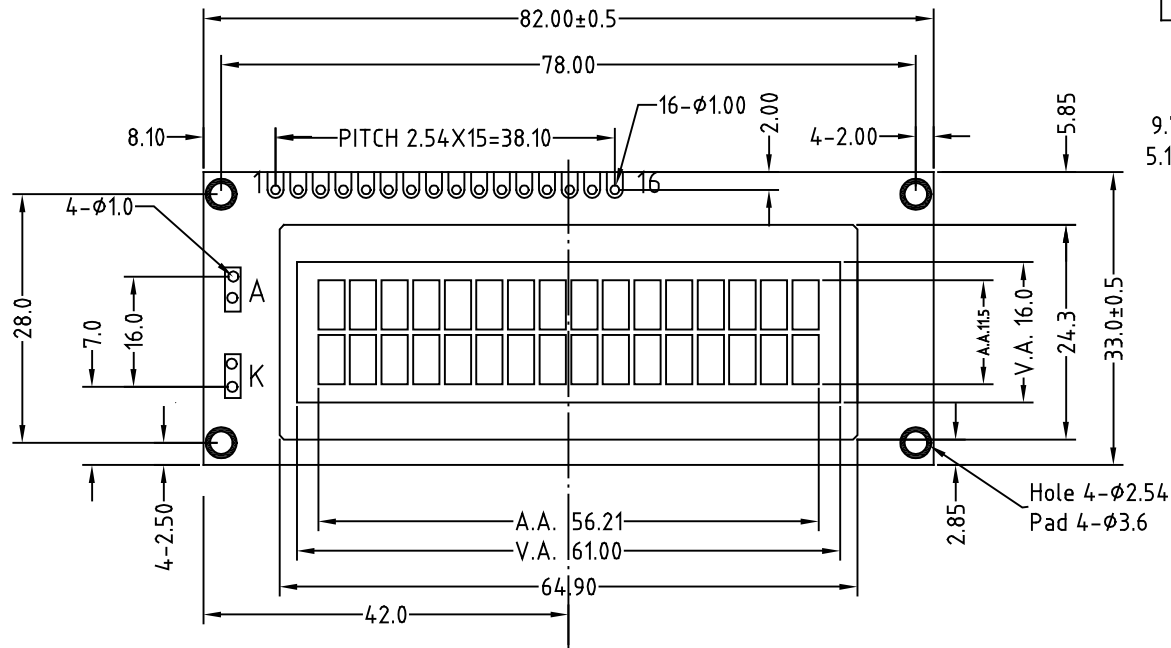
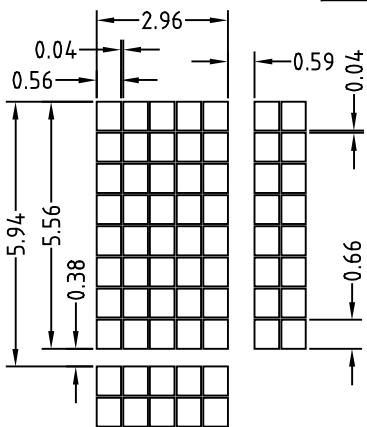



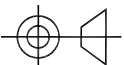
REV	Description	Date
A01	Change Dimensions	2002-SEP-26



PIN ASSIGNMENT

PIN NO.	1	2	3	4	5	6	7	8	9	10	11	12	13	14	15	16
NAME	V <sub>SS</sub>	V <sub>DD</sub>	V <sub>0</sub>	RS	R/W	E	DB0	DB1	DB2	DB3	DB4	DB5	DB6	DB7	A	K



Description:		MECHANICAL SPECIFICATIONS	
Scale:		Sheet : 1 of 1	
Unspecified Tol. ±0.3	Unit mm	 <b>Intelligent Display Solutions</b> <a href="http://www.i-lcd.com">www.i-lcd.com</a> <a href="mailto:info@i-lcd.com">info@i-lcd.com</a>	
Approvals	Date	Project Number	Item Number
Draw:		TMBC16265G-XX	
Check:			
Approve:		Do Not Scale This Drawing	
			 Projection