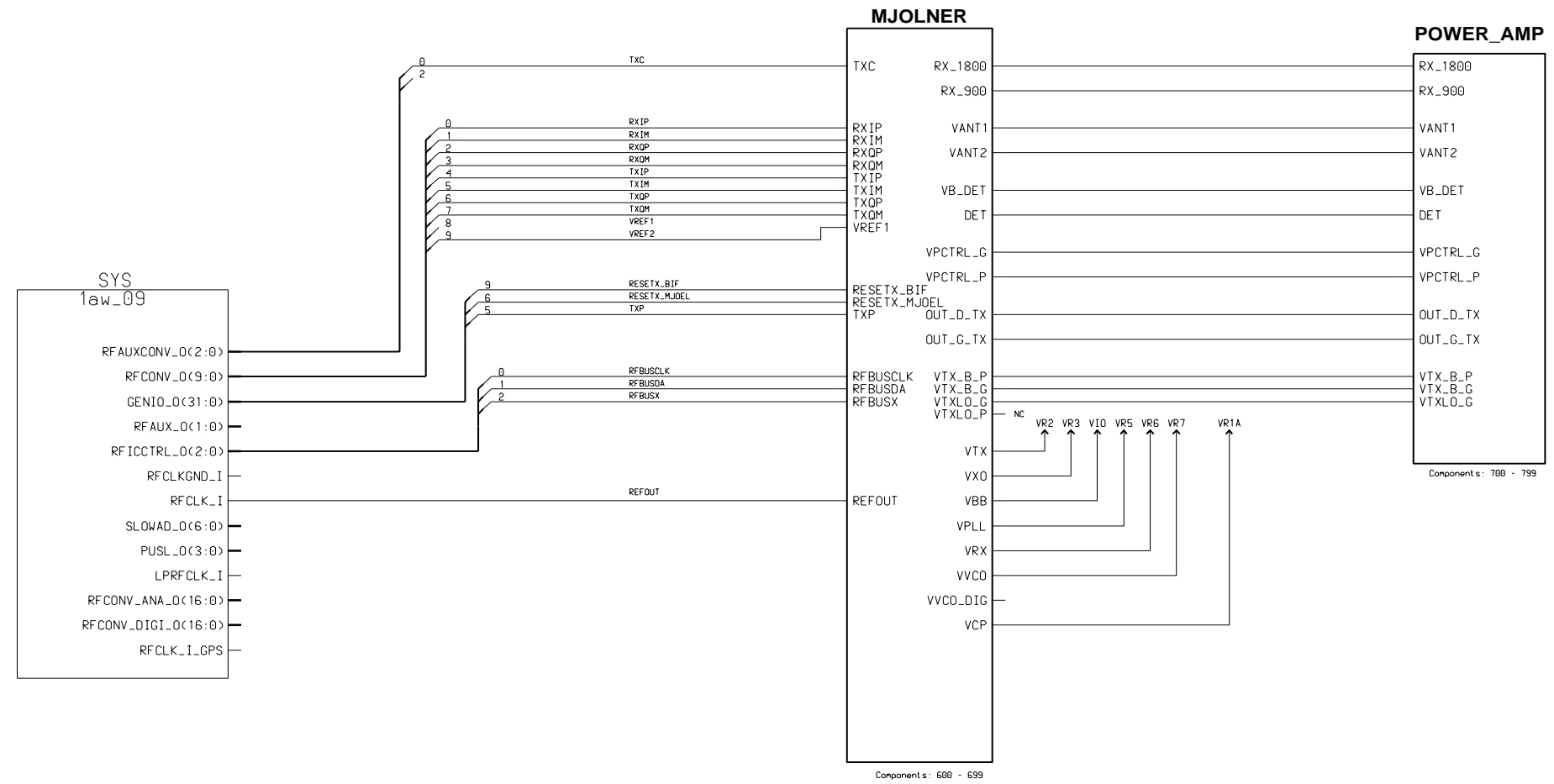


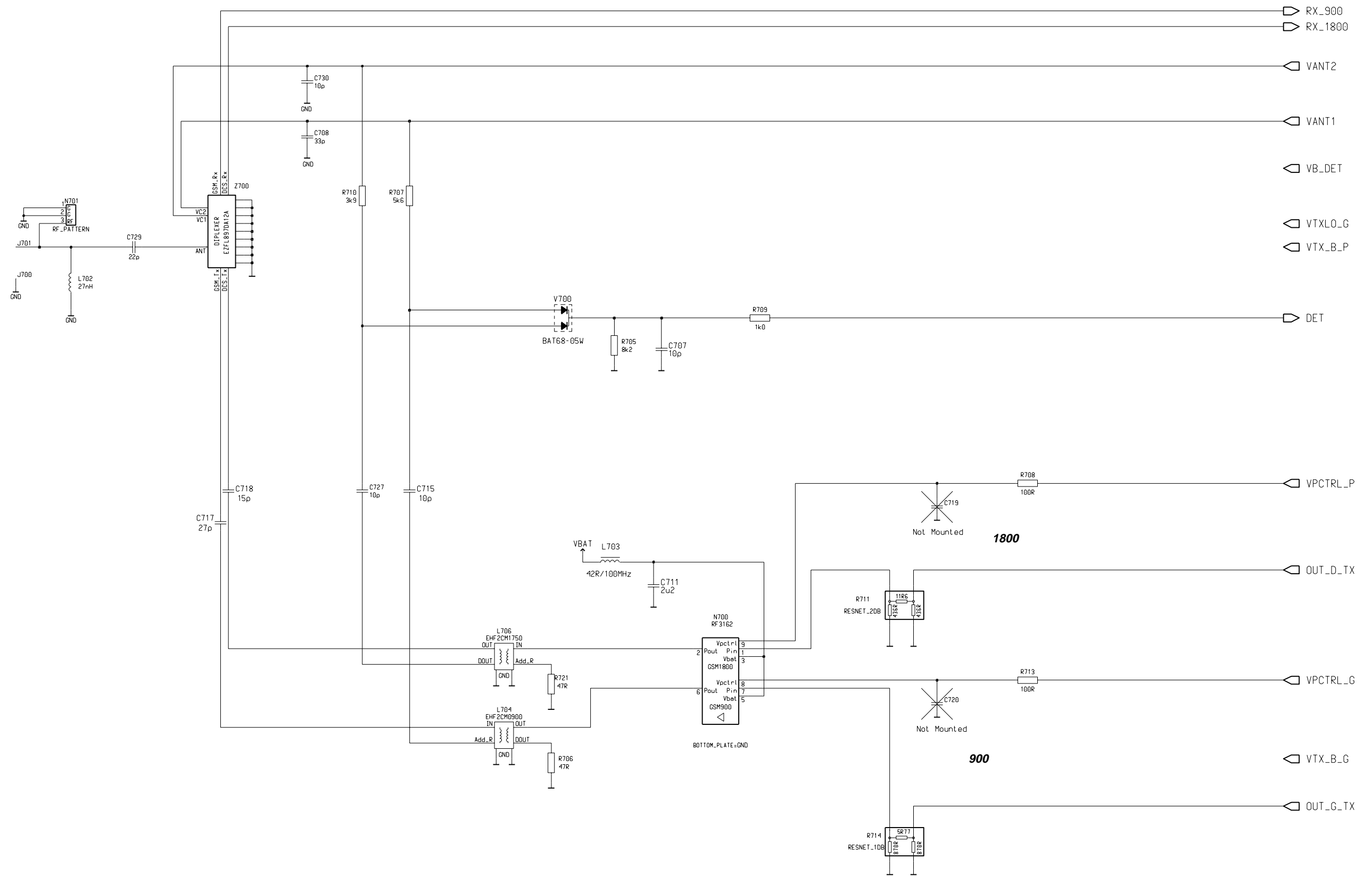
RH-18/36/38 Schematic Diagrams

Table of Contents	Page
BB/RF connection block diagram v.0.0 ed.79	3
Mjölner IC v.0.0 ed. 229	4
Power amplifier diagram v. 0.0 ed.135	5
Baseband block diagram v. 0.0 ed. 343	6
Audio schematic diagram v. 1.3 ed.48	7
Keyboard diagram v. 1.3 ed.52	8
Flash memory diagram v. 2.0 ed.36	9
Discrete capacitors for memory without VFlash1 v. 1.3 ed.11	10
Discrete power v.1.3 ed.120	11
Light filtering diagram, v.2. 0 RH*	12
Old power discrete capacitors, v. 0.0 ed. 9	13
Power resistor v. 0.0 ed.4	13
RF/BB connection, v. 1.3 ed.28	14
SIM v. 1.3 ed. 32	15
System connector v. 1.3 ed.51	16
UPP 8M diagram, v. 2.0 ed. 107	17
Discrete decoupling capacitors for UPP v., 1.3 ed.10	18
Audio and Global Ground v. 0.0 RH*	18
Component layout 1AW_07a, top side	19
Component layout 1AW_07a, bottom side	20
Test Points, Baseband	21

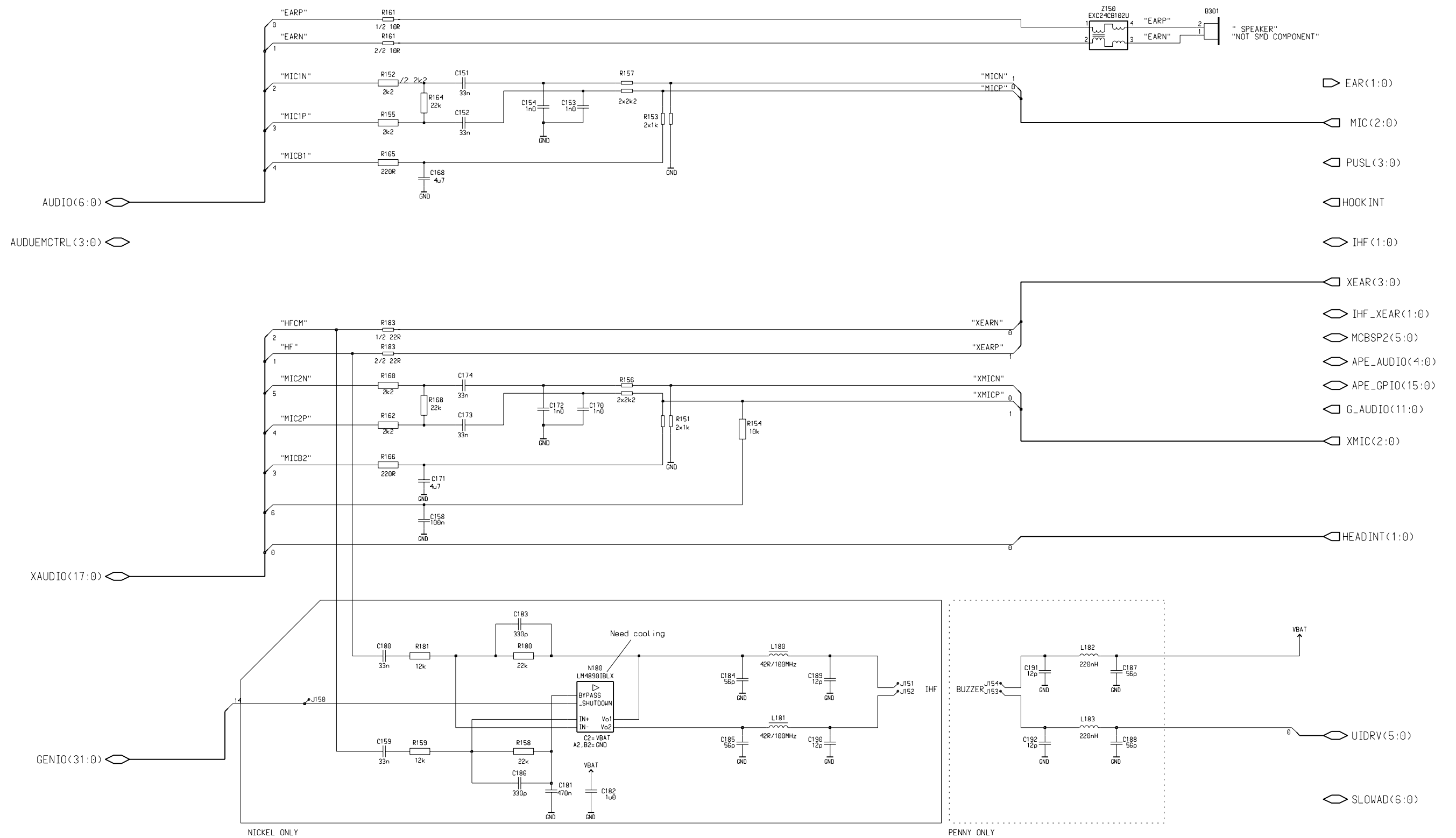
BB/RF connection block diagram v.0.0 ed.79



Power amplifier diagram v. 0.0 ed.135

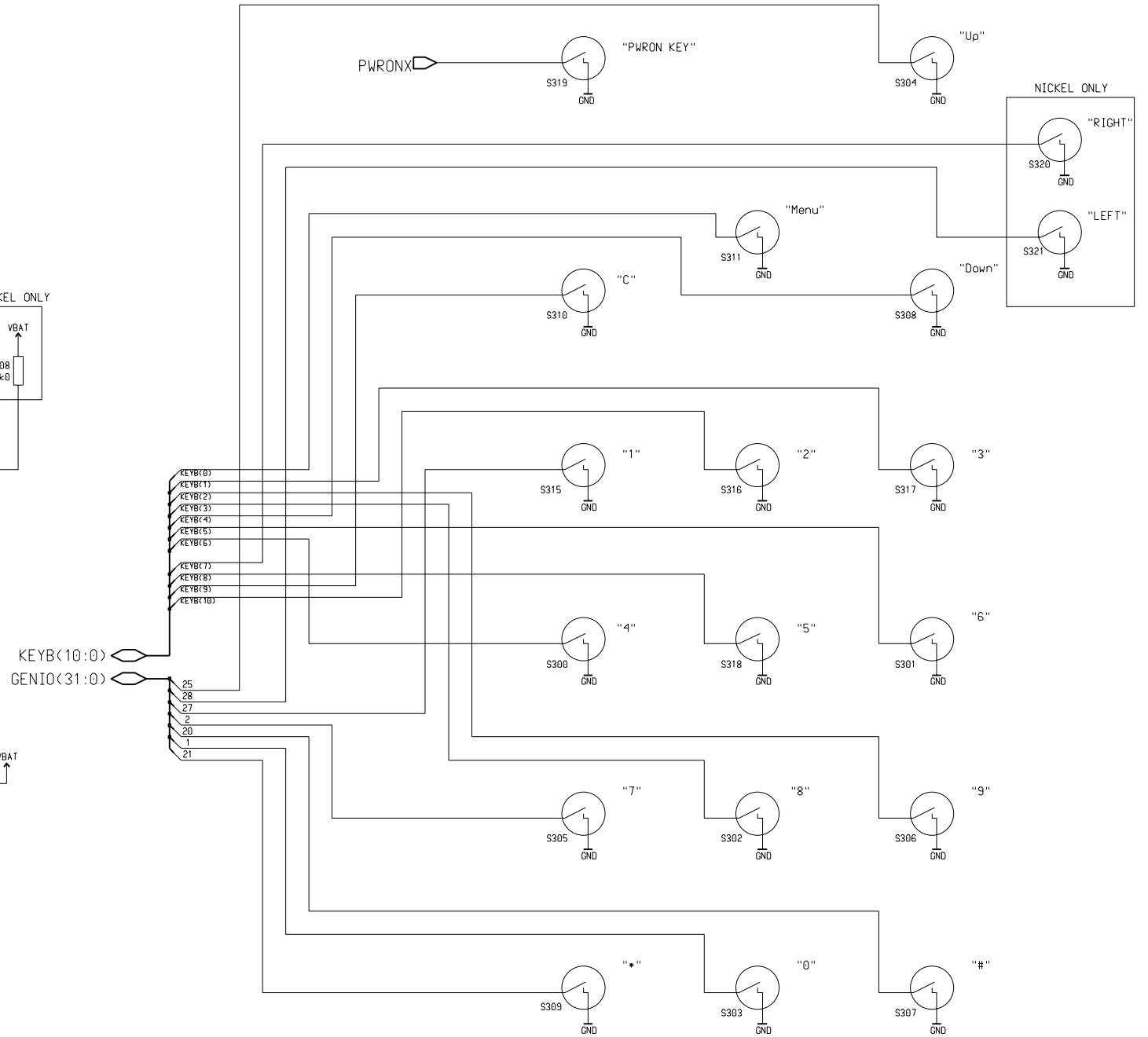
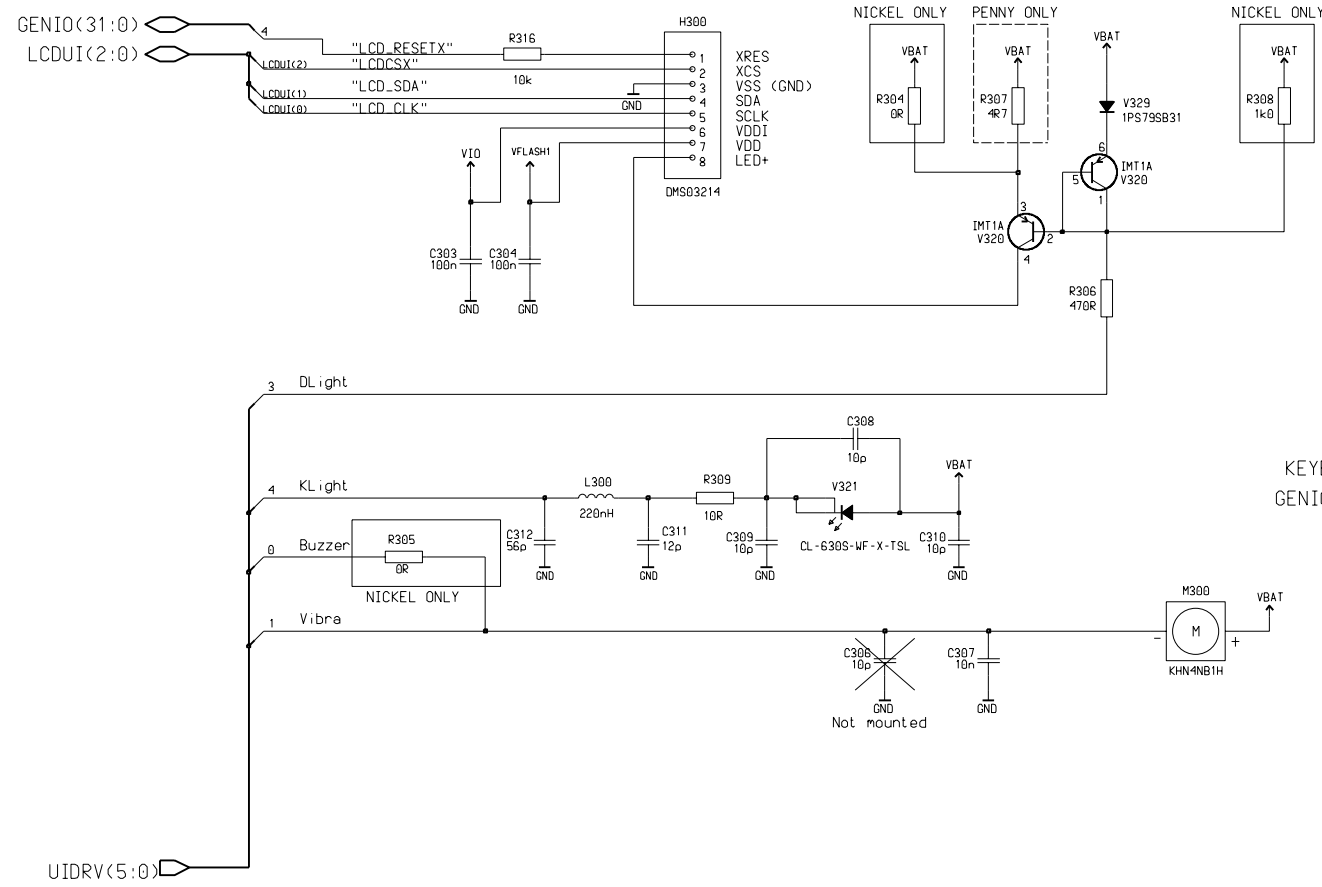


Audio schematic diagram v. 1.3 ed.48



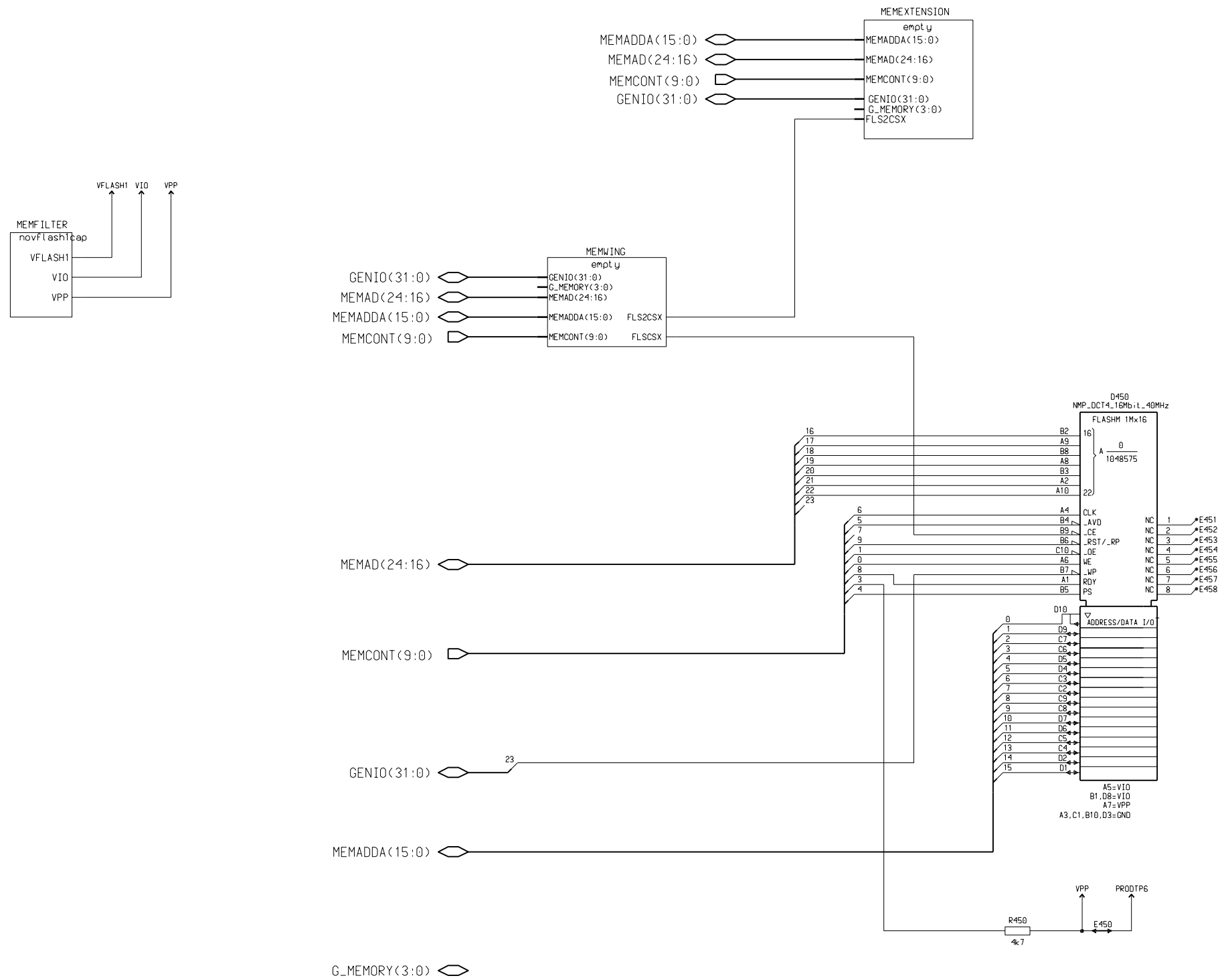
Keyboard diagram v. 1.3 ed.52

- AUDUEMCTRL<3:0>
- DIFDATA<7:0>
- DIFCTRL<3:0>
- MIC<2:0>
- PUSL<3:0>
- GPIO<31:0>
- G_KEY_UI<67:0>
- HEADINT<1:0>
- SIMIF<3:0>
- IHF_XEAR<1:0>

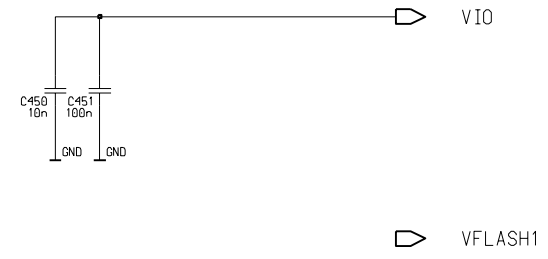


- SLOWAD<6:0>
- EAR<1:0>

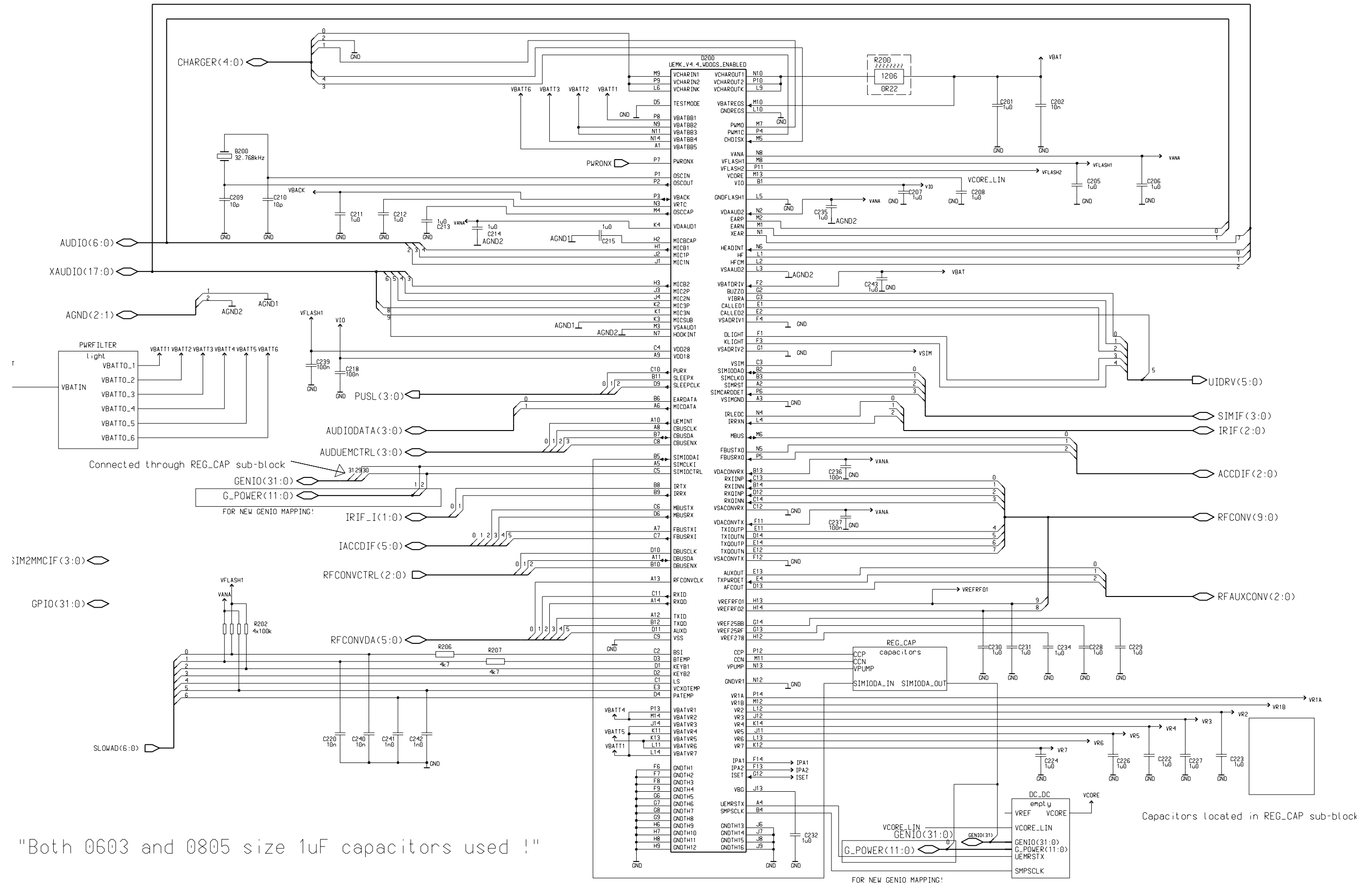
Flash memory diagram v. 2.0 ed.36



Discrete capacitors for memory without VFlash1 v. 1.3 ed.11



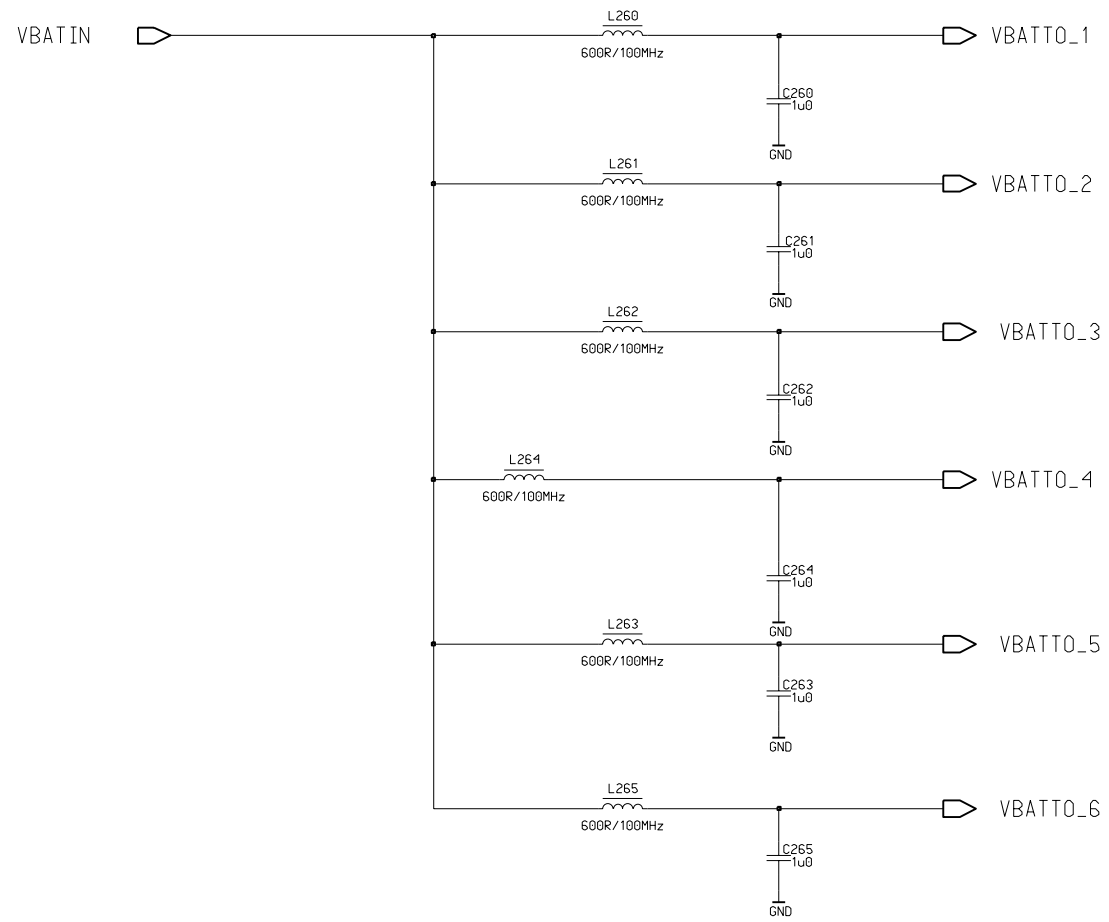
Discrete power v.1.3 ed.120



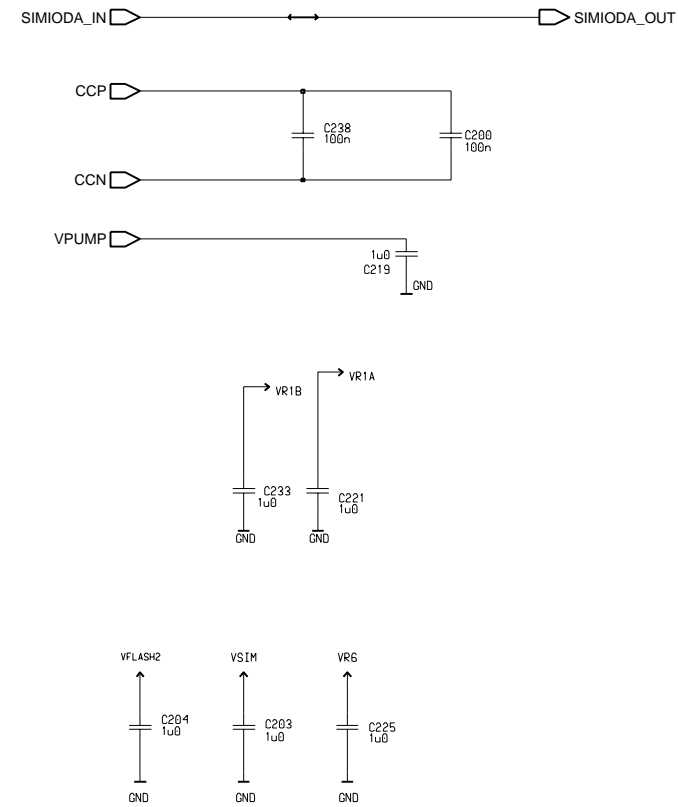
"Both 0603 and 0805 size 1uF capacitors used !"

Used refs in REG_CAP: C238, C200, C219, C233, C221 and R205

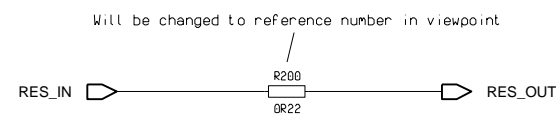
Light filtering diagram, v.2. 0 RH*



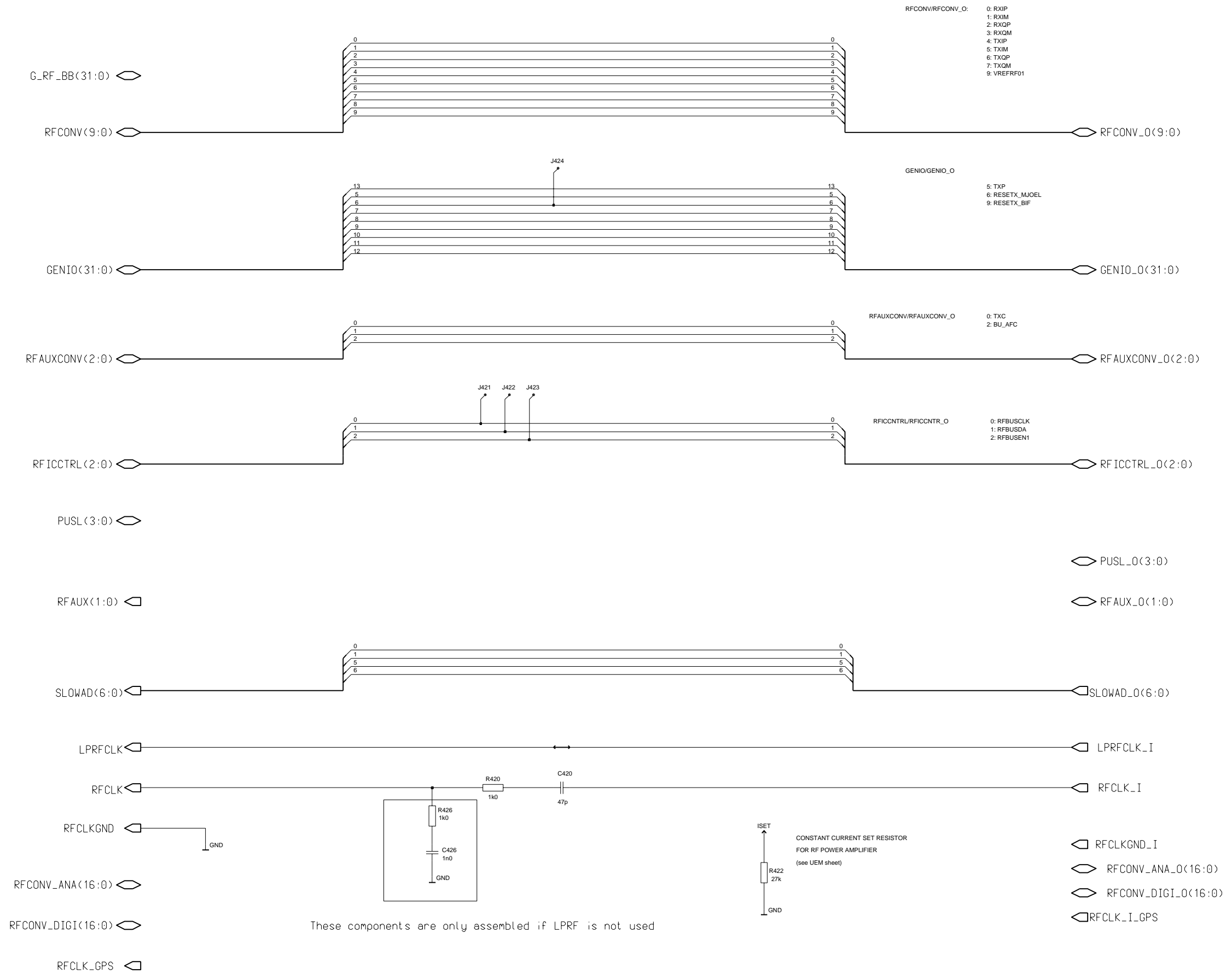
Old power discrete capacitors, v. 0.0 ed. 9



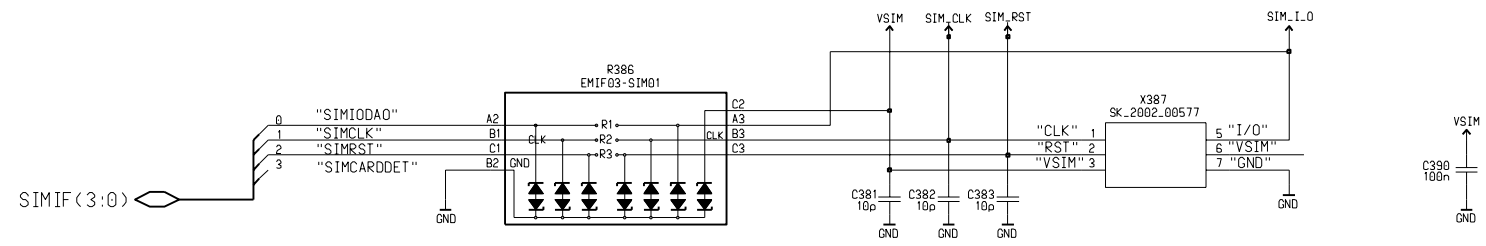
Power resistor v. 0.0 ed.4



RF/BB connection, v. 1.3 ed.28



SIM v. 1.3 ed. 32

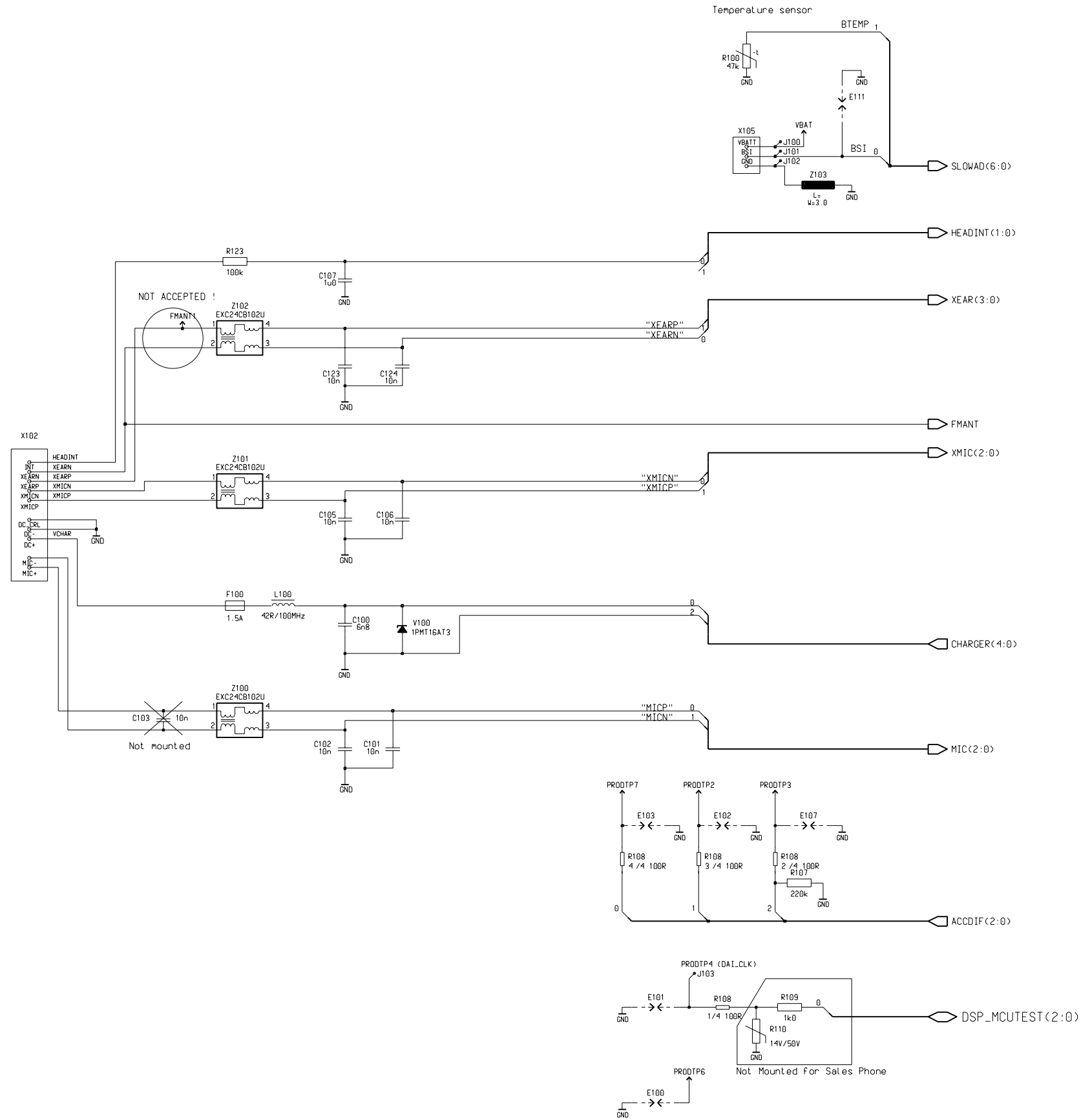


SIM2MMCIF(3:0)

GENIO(31:0)

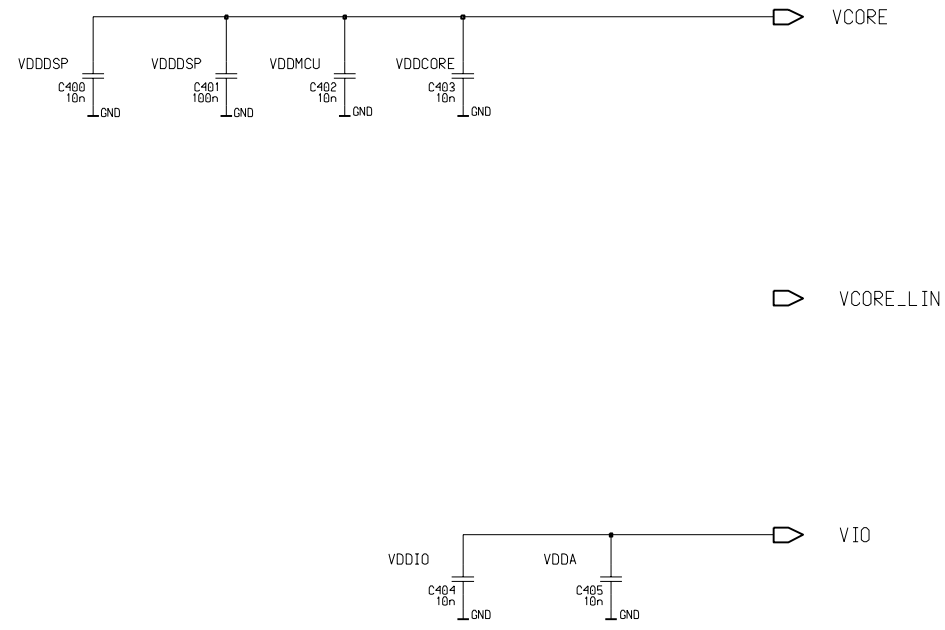
G_SIM(7:0)

System connector v. 1.3 ed.51

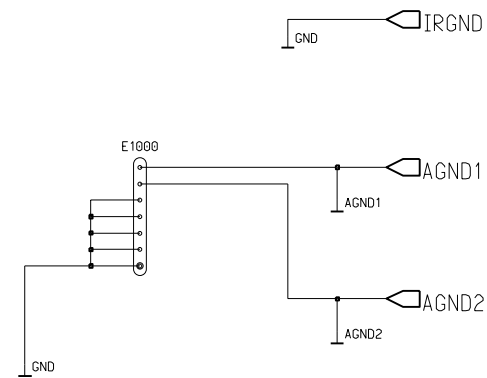


- ◁ UIDRV(5:0)
- ◁ IACCDIF(5:0)
- ◁ RFAUX(1:0)
- ▷ PWRONX
- ◁ SIMIF(3:0)
- ▷ HOOKINT
- ◁ USB_DIG(6:0)
- ◁ PUSL(3:0)
- ◁ AUDUEMCTRL(3:0)
- ◁ GENIO(31:0)
- ◁ GPIO(31:0)
- ▷ USB(2:0)
- ◁ APE_GPIO(15:0)
- ◁ G_SYS_CONN(11:0)
- ◁ IHF(1:0)

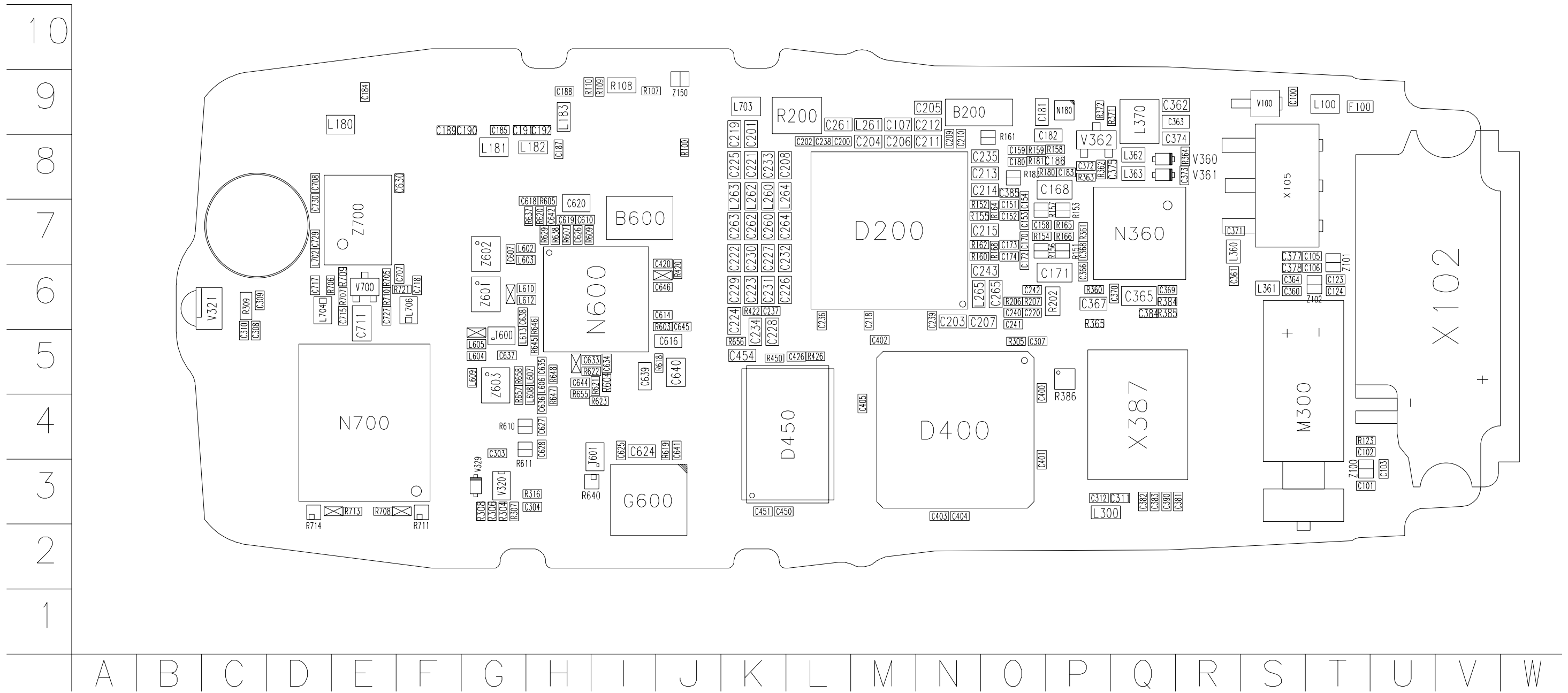
Discrete decoupling capacitors for UPP v. 1.3 ed.10



Audio and Global Ground v. 0.0 RH*



Component layout 1AW_07a, top side



Component layout 1AW_07a, bottom side

